

SED Flow Control GmbH

Metal Diaphragm Valves for industrial applications

PRODUCTCATALOG

TABLE OF CONTENTS

Introduction	04
Company	04
Production and Quality	05
Applications	06
Overview	07
Valve Function and Body Design	07
Diaphragm Valves Metal	08
Flange Body Dimensions	08
Threaded Socket Body Dimensions	09
Media Contacted Components	10
Diaphragms	10
Manual Valve	12
Type 289 / 295 DN 12 - 15 (3/8" - 1/2")	12
Type 982 DN 15 - 50 (1/2" - 2")	15
Type 987 DN 15 - 300 (1/2" - 12")	18
Type 905 DN 15 - 50 (1/2" - 2")	21
Pneumatically Operated Valve	24
Type 188 DN 12 - 15 (3/8" - 1/2")	24
Type 385 DN 15 - 100 (1/2" - 4")	28
Type 402 DN 15 - 50 (1/2" - 2")	33
Type 487 DN 65 - 200 (2 1/2" - 8")	38
Type 495 DN 15 - 50 (1/2" - 2")	49
System Components and Process Automation	54
Manual Adjustment - Optical Indication	54
Electrical Switch Boxes	55
Pilot Valves	56
Electropneumatic Positioners	57
Ordering Key	61
Overview Product Range	64

Introduction Company

SAMSON operates wherever there is controlled flow of oils, gases, vapors or chemical substances. Valves are our core business. With our valves, we are active in a market that has enormous potential for future innovations. We are further expanding the valves' decentralized intelligence. By developing new, smart systems, we are transforming process automation to the benefit of our customers and to achieve greater flexibility, safety and reliability in industrial processes.

Founded in 1907, SAMSON has grown into a world leading valves manufacturer with more than 600 million euros sales and 4500 employees in 50 subsidiaries all around the world.



Samson AG - Frankfurt am Main

SED Flow Control is an international operating company, leading in the development, production and worldwide sales of sophisticated valve technologies.

SED Flow Control was established in 1984 and became a member of the SAMSON Group in 2017. Thanks to the powerful support of a world leading valve company we are well prepared to all future challenges. Our mission is to provide high quality products for the life science and industrial market. A clearly defined range of products, our flexibility and our proximity to the clients are factors of considerable importance for our customers.

Our highly motivated employees in product management, engineering, sales and all other departments are pleased to work with our customers' challenges. Whether it is a big volume order, a short delivery time, or just an opportunity to find the most efficient process valve solution, SED is ready to take this challenge.



SED Flow Control - Bad Rappenau

Certified Process Qualification



- Quality Management System ISO 9001
- Environment Management System ISO 14001
- Energy Management System ISO 50001
- Manufacturing Process AD2000 Merkblatt HP0

- Pressure Equipment Directive 2014/68/EU
- Specialised Company for Welding ISO 3834-2
- Qualified Personnel for Material Traceability according §2 Abs.2a Gerätesicherungs-gesetz

Introduction

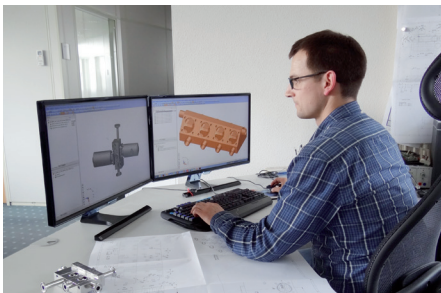
Production and Quality

The company has installed the most modern machinery and individual production facilities which are fully adapted to current market requirements.

Our employees training and experience over the years have developed an attitude which is characterized by flexibility and meeting our customer's need.

Specifically:

- The 3D-Cad –Cam network connects all the CAD workstations with the CNC machining facilities, bringing our products from conception to development.
- Injection molding manufacturing, special injection molding machines, and tools adapted to high performance plastics and specific processes.
- Assembly in room facilities with clean environment ultrasonic clean washing including other automated assembly capabilities.
- State-of-the-art production facilities allows competitive manufacturing and reliable customer service.
- Work stations which are ergonomically designed for the health and safety of our employees.
- Programmable welding machine and polishing work stations for aseptic diaphragm valves in order to guarantee the greatest flexibility and quality.



CAD- CAM working station



CNC machining center



Injection molding

The fundamental areas of our Quality Policy

Products and Services:

An accelerated implementation of customized solutions is achieved with personal conversations and direct customer input. This is supported by the specialization of SED through development and production areas with efficient experience and extensive training requirements.

Suppliers:

The quality of our products is directly dependent on the performance of our suppliers. Through a supplier qualification process, continuous assessments are performed, documented and form the basis of a close customer-supplier-relationship.

Work Sequences:

For each individual step of the manufacturing process the motto "My colleague is my customer" applies. This means that everybody has to handle their production responsibility in a way that the internal customer is satisfied and that their best work is possible.

Customers:

Our customer is our employer and should see their visions and wishes realized. This means that our goal is to work together with our customers to develop solutions and implement these solutions with cost effective results.

Employees:

The greatest asset of our company is our employees. Embracing quality is not the result of an individual but the outcome of successful teamwork. The ability to develop new ideas, to take on responsibility and to show initiative and creativity brings us continuous development and improvement.

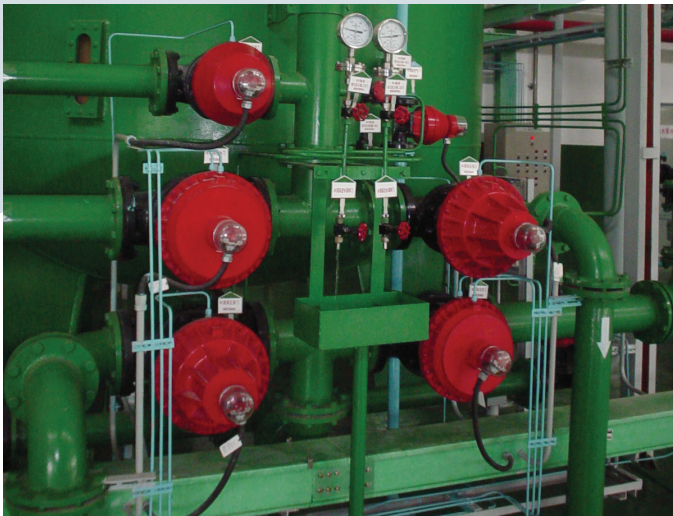
Each level of the company believes in our quality and growth philosophy and this is reinforced with continued education.

Applications

**Customer Loyalty is More
Than Just a Good Product**



Boiled water system in coal power station



Desalted water in coal chemical plant



Desalted water in petro chemical plant

Applications

- Water treatment
- Cement industry
- Aluminium oxide manufacture
- Steelworks, metalwork
- Pickling and surface treatment
- Cellulose, paper
- Mining, ore processing
- Hydrometallurgy
- Copper mining and processing
- Electrolysis
- Nickel ore processing
- Soda/chlorine manufacture
- Titanium ore processing, titanium dioxide manufacture for the paint, paper and plastic industry
- Sugar and alcohol industry
- Fertiliser industry
- Power station
- Petrochemical

Overview

Valve Function and Body Design

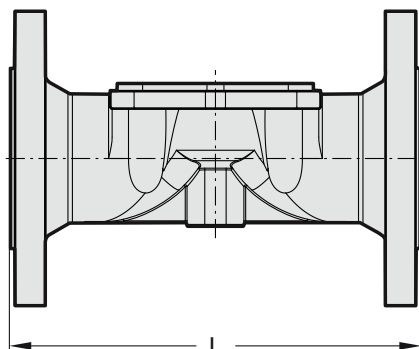
Type	DN	Manual Valve	Pneumatically Operated Valve	Threaded socket, Code 1	Flange EN 1092, PN10/16, length EN 558-1, series 1	Flange ANSI class 125/150, length EN 558-1, series 1	Flange EN 1092, PN10/16, length BS5156	Flange ANSI class 125/150, length BS5156
Valve body material: Stainless steel, investment cast 1.4435/ 316 L, Code 7								
188	12 - 15	-	X	P27	-	-	-	-
289	12 - 15	X	-	P14	-	-	-	-
295	12 - 15	X	-	P14	-	-	-	-
385	15 - 50	-	X	P32	-	-	-	-
402	15 - 50	-	X	P37	-	-	-	-
982	15 - 50	X	-	P17	-	-	-	-
Valve body material: Cast iron, EN-GJL-250 (GG25), Code 8								
385	15 - 100	-	X	P32	P32	P32	P32	P32
402	15 - 50	-	X	P37	P37	P37	P37	P37
487	65 - 200	-	X	-	P46	P46	P46	P46
987	15 - 80	X	-	P20	P20	P20	P20	P20
	100 - 300	X	-	-	P20	P20	P20	P20
Valve body material: S. G. iron EN-GJS-400-18-LT (GGG40.3), PFA-lined, Code 11								
385	15 - 100	-	X	-	P32	P32	P32	P32
487	65 - 200	-	X	-	P46	P46	P46	P46
982	15 - 50	X	-	-	P17	P17	P17	P17
987	15 - 200	X	-	-	P20	P20	P20	P20
Valve body material: S. G. iron EN-GJS-400-18-LT (GGG40.3), PP-lined, Code 12								
385	15 - 100	-	X	-	P32	P32	P32	P32
402	15 - 50	-	X	-	P37	P37	P37	P37
487	65 - 150	-	X	-	P46	P46	P46	P46
982	15 - 50	X	-	-	P17	P17	P17	P17
987	15 - 150	X	-	-	P20	P20	P20	P20
Valve body material: Stainless steel, investment cast 1.4435, PFA-lined, Code 71								
385	15 - 50	-	X	-	P32	P32	-	-
495	15 - 50	-	X	-	P53	P53	-	-
905	15 - 50	X	-	-	P23	P23	-	-
Valve body material: Cast iron, EN-GJL-250 (GG25), hard rubber lined, Code 80								
385	20 - 100	-	X	-	P32	P32	P32	P32
402	20 - 50	-	X	-	P37	P37	P37	P37
487	65 - 200	-	X	-	P46	P46	P46	P46
982	20 - 50	X	-	-	P17	P17	P17	P17
987	20 - 200	X	-	-	P20	P20	P20	P20

P = page

Diaphragm Valves Metal

Dimensions

Flange Body



Face to Face (FTF)

DN	15	20	25	32	40	50	65	65	80	100	125	150	200		
Size	1/2"	3/4"	1"	1 1/4"	1 1/2"	2"	2 1/2"	2 1/2"	3"	4"	5"	6"	8"		
MA	25	25	25	40	40	50	65	80	80	100	125	150	200		
EN DIN 558-1, Code 51, 58															
LENGTH (L)	Plastic lined	mm	130	150	160	180	200	230	-	290	310	350	400	480	600
		inch	5.11	5.90	6.29	7.08	7.87	9.05	-	11.41	12.20	13.77	15.74	18.89	23.62
	Hard rubber lined	mm	130	150	160	180	200	230	290	290	310	350	400	480	600
		inch	5.11	5.90	6.29	7.08	7.87	9.05	11,41	11.41	12.20	13.77	15.74	18.89	23.62
	Unlined	mm	130	150	160	180	200	230	290	290	310	350	400	480	600
		inch	5.11	5.90	6.29	7.08	7.87	9.05	11,41	11.41	12.20	13.77	15.74	18.89	23.62
BS5156, Code 61, 68															
Hard rubber lined	mm	-	123	133	-	165	197	222	222	260	313	364	414	529	
	inch	-	4.84	5.23	-	6.49	7.76	8.74	8.74	10.24	12.44	14.3	16.30	20.83	
Unlined	mm	-	117	127	-	159	190	216	216	254	305	356	406	521	
	inch	-	4.61	5.00	-	6.26	7.48	8.50	8.50	10.00	12.01	14.0	15.98	20.51	

Note: Table Flange see page 9

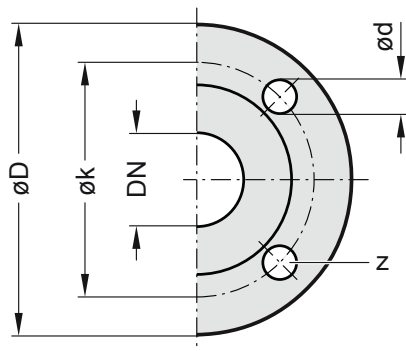


Information concerning valve bodies in stainless steel polished, DN 4-150, you will find in our catalogue "Valves for Aseptic Application - TD TD06 0018".

Diaphragm Valves Metal

Dimensions

Flange Body



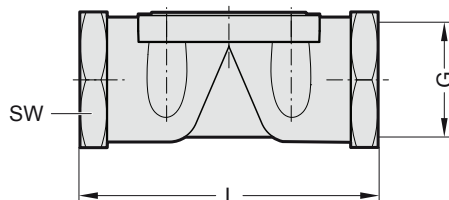
Flange

DN Size		15 1/2"	20 3/4"	25 1"	32 1 1/4"	40 1 1/2"	50 2"	65 2 1/2"	80 3"	100 4"	125 5"	150 6"	200 8"	
DIN PN10 / 16 Code 51, 61	Ø D	mm inch	95 3.74	105 4.13	115 4.52	140 5.51	150 5.9	165 6.49	185 7.28	200 7.87	220 8.66	250 9.84	285 11.22	340 13.38
	Ø d	mm inch	14 0.55	14 0.55	14 0.55	18 0.70	18 0.70	18 0.70	18 0.70	18 0.70	18 0.70	18 0.70	22 0.86	22 0.86
	Ø k	mm inch	65 2.55	75 2.95	85 3.34	100 3.93	110 4.33	125 4.92	145 5.70	160 6.29	180 7.08	210 8.26	240 9.44	295 11.61
	z		-	4	4	4	4	4	4	4	8	8	8	8

ANSI 150 Code 58, 68	Ø D	mm inch	- -	98,4 3.87	108 4.25	117 4.6	127 5.00	152 5.98	178 7.00	191 7.52	229 9.02	254 10.0	279 10,98	343 13.50
	Ø d	mm inch	- -	16 0.62	16 0.62	16 0.62	16 0.62	19 0.74	19 0.74	19 0.74	19 0.74	22 0.86	22 0.86	22 0.86
	Ø k	mm inch	- -	70 2.75	79 3.11	89 3.50	98 3.85	121 4.76	140 5.51	152 5.98	191 7.51	216 9.0	241 9.49	298 11.73
	z		-	4	4	4	4	4	4	4	8	8	8	8

Note: Table Face to Face (FTF) see page 8

Threaded Socket Body



DN Size MA		12-15 3/8"-1/2" 10	15 1/2" 25	20 3/4" 25	25 1" 25	32 1 1/4" 40	40 1 1/2" 40	50 2" 50	65 2 1/2" 65	
DIN ISO 228 Code 1	L	mm inch	see page 15	85 3.34	85 3.34	110 4.33	120 4.72	140 5.51	165 6.49	203 8.0
	SW Cast Iron	mm inch	- -	32 1.25	41 1.61	46 1.81	55 2.16	65 2.55	75 2.95	90 3.54
	SW Stainless Steel	mm inch	see page 15	27 1.06	32 1.25	41 1.61	50 1.96	55 2.16	70 2.75	- -
	G		3/8-1/2	1/2	3/4	1	1 1/4	1 1/2	2	2 1/2

Media Contacted Components

Diaphragms



Elastomer
MA25 - 80
Code 1, 2, 4



PTFE/EPDM two-piece, molded closed
MA25 - 80
Code 41, 44



PTFE/EPDM one-piece, molded open
MA10
Code 51



Elastomer
MA100 - 300
Code 1, 2, 4



PTFE/EPDM two-piece, molded open
MA100 - 300
Code 31

The diaphragm is the most important component of the diaphragm valve. Besides the valve body, the diaphragm is the only part which contacts the process medium.

The diaphragm separates the process medium from the actuator or top works and the external atmosphere.

In addition the diaphragm is the dynamic part which the flow rate of the process medium is controlled and stopped.

The developing of formulation of compound is done closely with a specialised company developing, producing and testing compounds since many years together with SED for our market. The SED diaphragms have been developed and tested over years and are subject to stringent testing specification in our own test stands and third party. These tests are continuously performed with different specification to simulate as close as possible different real processes.

The tests result has an influence on the design, composition of the materials, valve body design, actuation and complete valve assemblies. All diaphragms are produced with an embedded stainless steel compressor stud for the engagement at the valve operating mechanism.

All diaphragm materials of the same size have the same engagement with the valve operating mechanism and may be interchanged in the valve without changing the diaphragm compressor and spindle.

EPDM

Ethylene-propylene elastomer peroxide cured. The SED EPDM is a specifically developed compound reinforced with a vulcanized woven fabric inlay and is always manufactured in the molded open position. This diaphragm construction achieves higher stability for the diaphragm at elevated temperatures and pressures. In addition, the woven fabric inlay is vulcanized over the embedded compressor stud in order to strengthen the elastomer-metal connection. Thus, the EPDM diaphragm is ideal for vacuum applications.

PTFE (TFM)

These PTFE diaphragms have been designed and offer the highest degree of chemical resistance, increased stability, longer flex life, less porosity, reduced cold flow and superior performance through temperature fluctuations between hot and cold and steam sterilization cycles.

MA10

The diaphragm dimension MA10 is designed as a one-piece diaphragm: This means that the EPDM back is bonded with the PTFE.

The diaphragm is always manufactured in the molded open position. These one-piece diaphragms have less surface area and are subject to shorter linear strokes which explain the excellent performance that has proved itself over time.

This feature eliminates the potential for point loading at the center of the diaphragm.

MA25 to MA100

The diaphragm dimensions MA25 to MA100 are designed as two-piece diaphragms-consisting of a separate EPDM backing cushion and PTFE diaphragm. The diaphragm is always manufactured in the molded closed position. The advantage of this design for the MA25 to MA100 is that the diaphragm is in its molded shape while in the closed position of the valve. This reduces the force to close the valve and increases the life of the diaphragm.

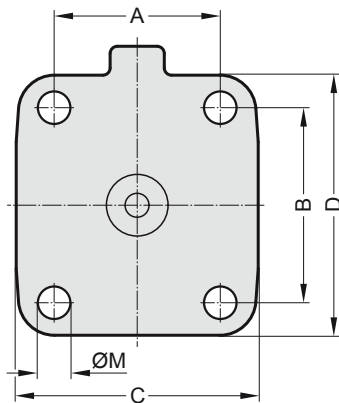
In the two piece diaphragms the threaded stud connection is embedded in the PTFE of the diaphragm. To eliminate the potential of point loading at the center of the diaphragm, a floating suspension connection to the valve operating mechanism is utilized.

Note: Other diaphragm materials on request.

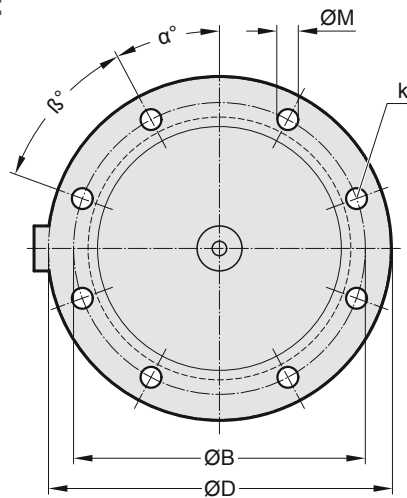
Media Contacted Components

Diaphragms

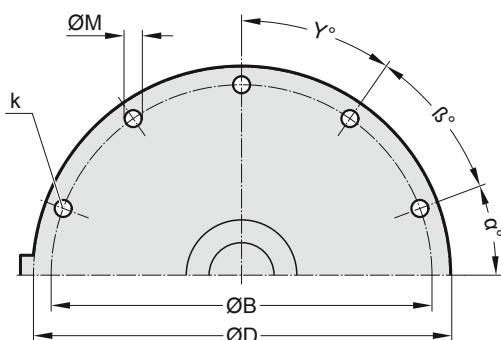
MA 10 - 80:



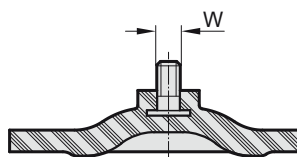
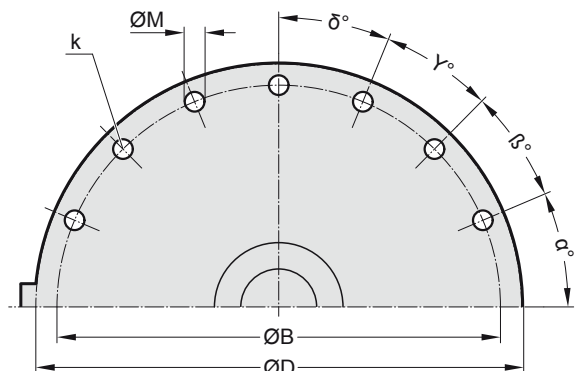
MA 100:



MA 150:



MA 200 - 300:



Dimensions (mm)

DN	NPS	MA	A	B	C	D	ØM	k	W	α	β	γ	δ
12 - 15	3/8" - 1/2"	10	42.5	37.5	52	47	5.5	4	M4	-	-	-	-
15 - 25	1/2" - 1"	25	46	54	67	72	9	4	1/4"	-	-	-	-
32 - 40	1 1/4" - 1 1/2"	40	65	70	90	100	13.5	4	1/4"	-	-	-	-
50	2"	50	78	82	106	124	13	4	1/4"	-	-	-	-
65	2 1/2"	65	95.3	101.6	131.9	144.4	14.3	4	5/16"	-	-	-	-
65 - 80	2 1/2" - 3"	80	114	127	156	186	18	4	5/16"	-	-	-	-
100	4"	100	-	194	-	228	14.5	8	5/16"	20	42	-	-
125	5"	125	-	222	-	254	17.5	8	3/8"	43.5	43.5	-	-
150	6"	150	-	273	-	298.5	17.5	10	3/8"	35	35	35	-
200	8"	200	-	381	-	412.8	19	14	7/8"	22.5	22.5	27	18
250	10"	250	-	438.2	-	480	22.5	14	7/8"	22.5	22.5	22.5	22.5
300	12"	300	-	508	-	560	24	14	7/8"	24	24	24	18

Manual Valve

Type 289 / 295 DN 12 - 15 (3/8" - 1/2")

Type 289 hand wheel operated actuator in plastic is a compact designed valve ideal for using where space is at a premium.

The smooth contour finish of the plastic cover eliminates accumulation of dirt and is corrosion resistant.

Type 295 hand wheel operated actuator with stainless steel bonnet is the same compact design as type 289 but with a stainless steel bonnet which allows this valve to be used for higher temperature, depending on the diaphragm material to be used.

K_v100 flow coefficient

The K_v100 flow coefficient is the Q flow rate of cubic meter per hour of water at a temperature of 20°C that will generate $\Delta p = 1$ bar pressure drop at a certain valve position.

The K_v100 values shown in the table are calculated with the valve completely open.

Features

- Process media can be neutral or aggressive liquid, and gaseous, dependent upon material selection of body and diaphragm
- Flow can be in either direction
- Insensitive to dirty or contaminated media
- Excellent flow characteristic
- Bubble tight sealing
- Installation can be in any position
- Eliminates water hammer
- Complete with position indicator
- Compact construction
- Maintenance free and non corrosive actuator
- Adjustable internal travel stop

Technical specifications

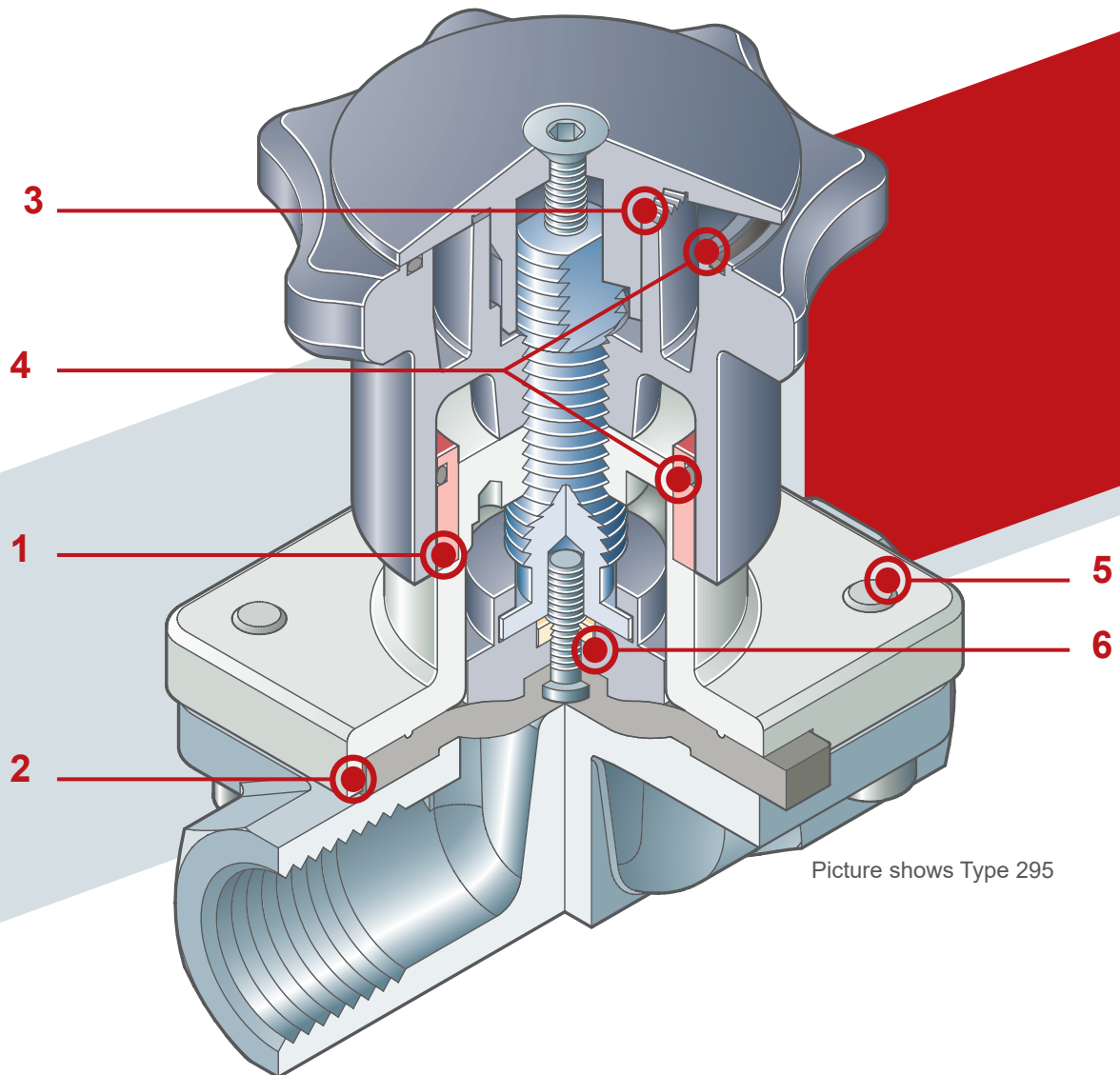
Design	Diaphragm Valve Type 295, Stainless steel bonnet and plastic handwheel Type 289, Plastic bonnet and handwheel
Size range	DN 12 - 15
Diaphragm size see page 11	MA 10
Body material	Investment cast 1.4435/316L
End connection standards see page 8-9	Threaded socket: DIN ISO 228
Diaphragm material	EPDM, PTFE, NBR, FPM
Actuator material	Type 295, Bonnet stainless steel, hand wheel PA-GR, rising handwheel Type 289, PA-GR, rising handwheel
Max. working pressure	10 bar (150 PSI), Type 295 6 bar (87 PSI), Type 289
Temperature range	-10 °C to +150 °C, depending on diaphragm and body material
Control functions	Manual control

Note: Possible actuator and valve body combinations see page 7.
Ordering key see page 60.

DN	12	15
Kv m ³ /h	2,8	4,2
Cv gpm	3,3	4,9

Manual Valve

Type 289 / 295 DN 12 - 15 (3/8" - 1/2")



Picture shows Type 295

1 Optical position indicator supplied as standard

3 Adjustable internal travel stop to prevent excessive compression of the diaphragm

5 Bottom entry stainless steel bolting

2 Encapsulated diaphragm to prevent the elastomer of the diaphragm from extruding beyond the body bonnet flange

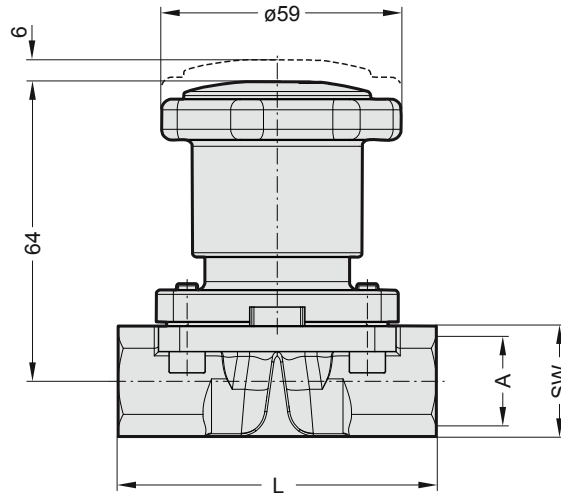
4 Sealing bonnet assembly

6 Flexible diaphragm suspension to eliminate point loading at the center of the diaphragm

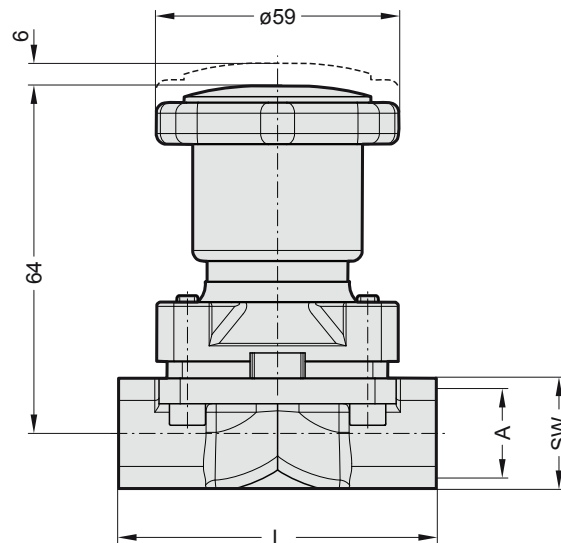
Manual Valve

Type 289 / 295 DN 12 - 15 (3/8" - 1/2")

Type 295



Type 289



Dimensions (mm)

DN	MA	A	L	SW	Weight kg 295 / 289
12	10	G3/8"	56	22	0,52 / 0,38
15	10	G1/2"	75	27	0,58 / 0,44

Manual Valve

Type 982 DN 15 - 50 (1/2" - 2")

Type 982 the diaphragm valve is particularly suitable for shutting off and regulating abrasive or dirty fluids.

The valve is extremely compact and very light. The innovative hand wheel is equipped with a patented immediate and ergonomic operating locking device that allows it to be adjusted and locked in any position.

Features

- Process media can be neutral or aggressive liquid, and gaseous, dependent upon material selection of body and diaphragm
- Flow can be in either direction
- Insensitive to dirty or contaminated media
- Excellent flow characteristic
- Locking device
- Bubble tight sealing
- Installation can be in any position
- Eliminates water hammer
- Complete with position indicator
- Compact construction
- Maintenance free non corrosive actuator

Technical specifications

Design	Diaphragm Valve Plastic bonnet and handwheel
Size range	DN 15 - 50
Diaphragm size see page 11	MA 25 - 50
Body material	Investment cast 1.4435/316L S.G. iron EN-GJS-400-18-LT (GGG40.3)-PP-Lined S.G. iron EN-GJS-400-18-LT (GGG40.3)-PFA-Lined Cast iron EN-GJL-250 (GG 25) Cast iron EN-GJL-250 (GG 25)-Hard-Rubber-Lined Carbon steel EN-GP-240-GH (GS-C25)
End connection standards see page 8-9	Threaded socket: DIN ISO 228 Flange: EN 1092 PN10/16, ANSI Class 125/150
Diaphragm material	EPDM, PTFE, NBR, FPM
Actuator material	PP-GR, non rising handwheel
Max. working pressure	10 bar (150 PSI)
Temperature range	-10 °C to +80 °C , depending on diaphragm and body material
Control functions	Manual control

Note: Possible actuator and valve body combinations see page 7.
Ordering key see page 60.

K_v100 flow coefficient

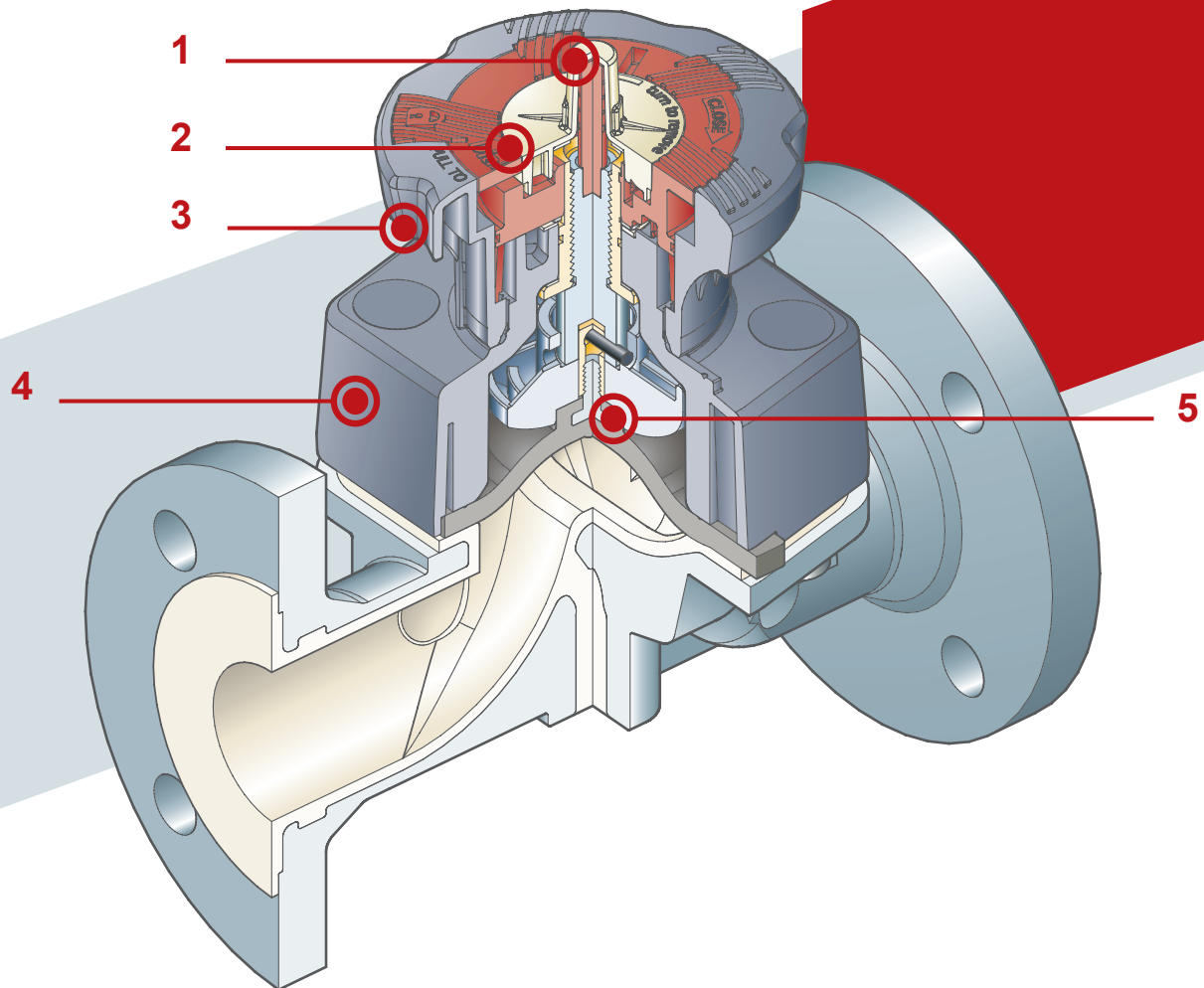
The K_v100 flow coefficient is the Q flow rate of cubic meter per hour of water at a temperature of 20°C that will generate Δp = 1 bar pressure drop at a certain valve position.

The K_v100 values shown in the table are calculated with the valve completely open.

DN	MA	Unlined		Hard rubber lined		Plastic lined	
		Kv m ³ /h	Cv gpm	Kv m ³ /h	Cv gpm	Kv m ³ /h	Cv gpm
15	25	7	8	-	-	5	6
20	25	12	14	10	12	9	11
25	25	14	16	14	16	13	15
32	40	-	-	29	34	23	27
40	40	40	47	32	37	26	30
50	50	78	91	51	60	50	59

Manual Valve

Type 982 DN 15 - 50 (1/2" - 2")



1 High visibility graduated optical position indicator protected by a transparent cap with seal O-Ring

2 Customization plate: the customization lets you identify the valve on the system according to specific needs

3 Locking system: innovative handwheel with a patented immediate and ergonomic operating locking device that allows it to be adjusted and locked in over 300 positions

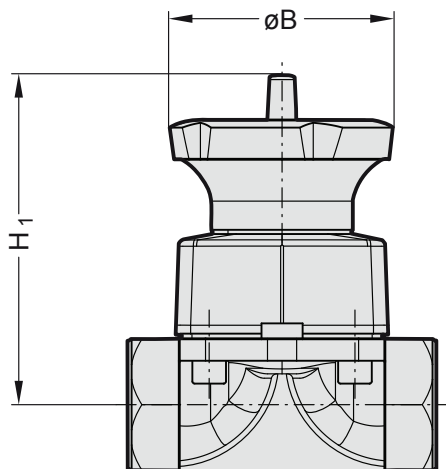
4 Handwheel and bonnet in high mechanical strength and chemically resistant PP-GR, providing full protection by isolating all internal metal parts from contact with external agents

5 Floating pin connection between the control screw and diaphragm to prevent concentrated loads, improve the seal and extend its lifetime

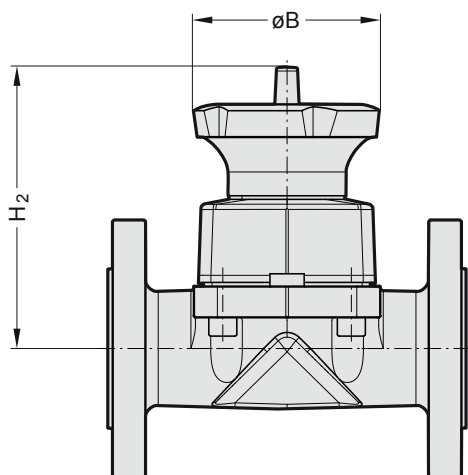
Manual Valve

Type 982 DN 15 - 50 (1/2" - 2")

Threaded Socket



Flanged



Dimensions (mm)

DN	MA	$\varnothing B$	Threaded socket version		Flanged Version	
			H_1	Weight kg	H_2	Weight kg
15	25	100	110	0,77	113	2,5
20	25	100	110	0,81	113	3,3
25	25	100	120	1,03	118	3,8
32	40	140	151	1,54	158	7,0
40	40	140	153	1,78	158	7,0
50	50	140	176	3,1	176	10,0

Note: Valve body face to face (FTF) and flange dimensions see page 8.

Manual Valve

Type 987 DN 15 - 300 (1/2" - 12")

Type 987 manually operated actuator in metal.

This valve with non rising hand wheel has a robust designed metal actuator which allows higher temperatures applications, depending on the diaphragm material to be used

Features

- Process media can be neutral or aggressive liquid, and gaseous, dependent upon material selection of body and diaphragm
- Flow can be in either direction
- Insensitive to dirty or contaminated media
- Excellent flow characteristic
- Bubble tight sealing
- Installation can be in any position
- Eliminates water hammer
- Complete with position indicator
- Compact construction

Technical specifications

Design	Diaphragm Valve Metal bonnet and handwheel
Size range	DN 15 - 300
Diaphragm size see page 11	MA 25 - 300
Body material	S.G. iron EN-GJS-400-18-LT (GGG40.3)-PP-Lined S.G. iron EN-GJS-400-18-LT (GGG40.3)-PFA-Lined Cast iron EN-GJL-250 (GG 25) Cast iron EN-GJL-250 (GG 25)-Hard-Rubber-Lined
End connection standards see page 8-9	Threaded socket: DIN ISO 228 Flange: EN 1092 PN10/16, ANSI Class 125/150
Diaphragm material	EPDM, PTFE, NBR, FPM
Actuator material	GG25, non rising hand wheel
Max. working pressure	DN15 - 150 , 10 bar (150 PSI) DN200 - 300, 6 bar (87 PSI)
Temperature range	-10 °C to +150 °C, depending on diaphragm and body material
Control functions	Manual control

Note: Possible actuator and valve body combinations see page 7.
Ordering key see page 60.

K_v100 flow coefficient

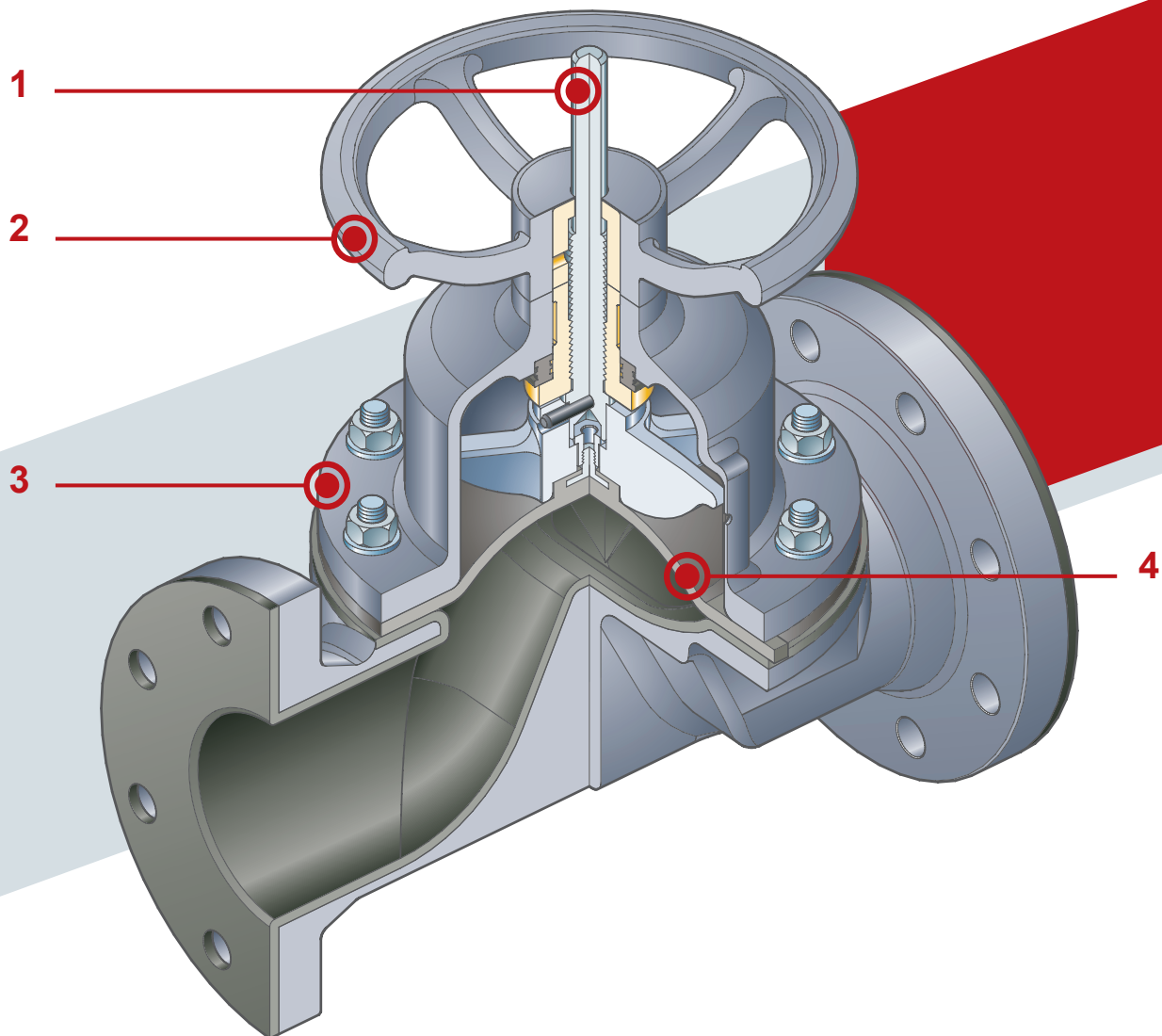
The K_v100 flow coefficient is the Q flow rate of cubic meter per hour of water at a temperature of 20°C that will generate Δp = 1 bar pressure drop at a certain valve position.

The K_v100 values shown in the table are calculated with the valve completely open.

DN	MA	Unlined		Hard rubber lined		Plastic lined	
		Kv m ³ /h	Cv gpm	Kv m ³ /h	Cv gpm	Kv m ³ /h	Cv gpm
15	25	7	8	-	-	5	6
20	25	12	14	10	12	9	11
25	25	14	16	14	16	13	15
32	40	-	-	29	34	23	27
40	40	40	47	32	37	26	30
50	50	78	91	51	60	50	59
65	65	88	103	75	88	-	-
65	80	-	-	-	-	72	84
80	80	154	180	113	132	110	129
100	100	217	254	190	222	175	205
125	125	280	328	240	281	214	250
150	150	478	559	395	462	365	427
200	200	1035	1211	865	1012	865	1012
250	250	1389	1625	1258	1472	1466	1715
300	300	2244	2625	1816	2125	-	-

Manual Valve

Type 987 DN 15 - 300 (1/2" - 12")



1 Optical position indicator supplied as standard

2 Non-rising ergonomic metal handwheel for easy operation

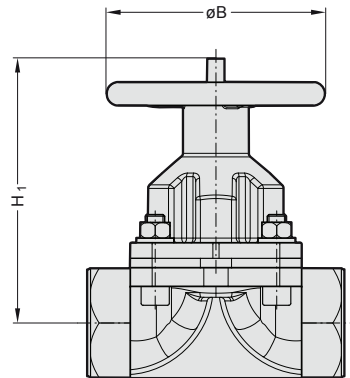
3 Robust metal bonnet in cast iron EN-GJL-250

4 Diaphragm which isolates the bonnet from the medium. Available in various materials for different media.

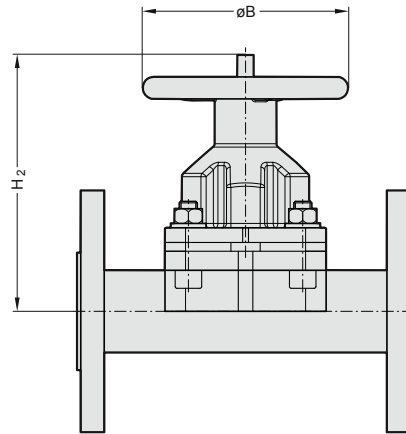
Manual Valve

Type 987 DN 15 - 300 (1/2" - 12")

Threaded Socket



Flanged



Dimensions (mm)

DN	MA	ØB	Threaded socket version		Flanged version	
			H ₁	Weight kg	H ₂	Weight kg
15	25	100	102	1,7	111	3,1
20	25	100	105	1,8	111	3,9
25	25	100	109	2,1	115	4,3
32	40	140	153	3,9	157	8,0
40	40	140	156	4,3	163	9,0
50	50	140	172	6,0	176	12,0
65	65	180	173	9,6	206	15,0
65	80	225	-	-	258	21,0
80	80	225	-	-	258	23,0
100	100	225	-	-	292	32,0
125	125	310	-	-	354	68,0
150	150	368	-	-	423	106,0
200	200	471	-	-	576	185,0
250	250	587	-	-	689	275,0
300	300	690	-	-	815	480,0

Note: Valve body face to face (FTF) and flange dimensions see page 8.

Manual Valve

Type 905 DN 15 - 50 (1/2" - 2")

Type 905 is a new innovative and User-friendly manual diaphragm valve with integrated, beneficial features for our customers and has an attractive design. The valve differentiates from the existing products in the market by offering unique features.

Features

- Stainless steel bonnet and plastic hand wheel
- Rising hand wheel with optical indicator and stroke indicator
- Sealed bonnet
- Internal travel stop
- Locking device
- Flexible diaphragm suspension
- Encapsulated diaphragm
- Stroke limiter optional

Technical specifications

Design	Diaphragm Valve Stainless steel bonnet and plastic handwheel
Size range	DN 15 - 50
Diaphragm size see page 11	MA 25 - 50
Body material	Investment cast 1.4435/316L-PFA-Lined
End connection standards see page 8-9	Flange: EN 1092 PN10/16, ANSI Class 125/150
Diaphragm material	EPDM, PTFE, NBR, FPM
Actuator material	PA MXD6-GF, bonnet stainless steel, rising hand wheel
Max. working pressure	10 bar (150 PSI)
Temperature range	-10 °C to +150 °C, depending on diaphragm and body material
Control functions	Manual control

Note: Possible actuator and valve body combinations see page 7.
Ordering key see page 60.

K_v 100 flow coefficient

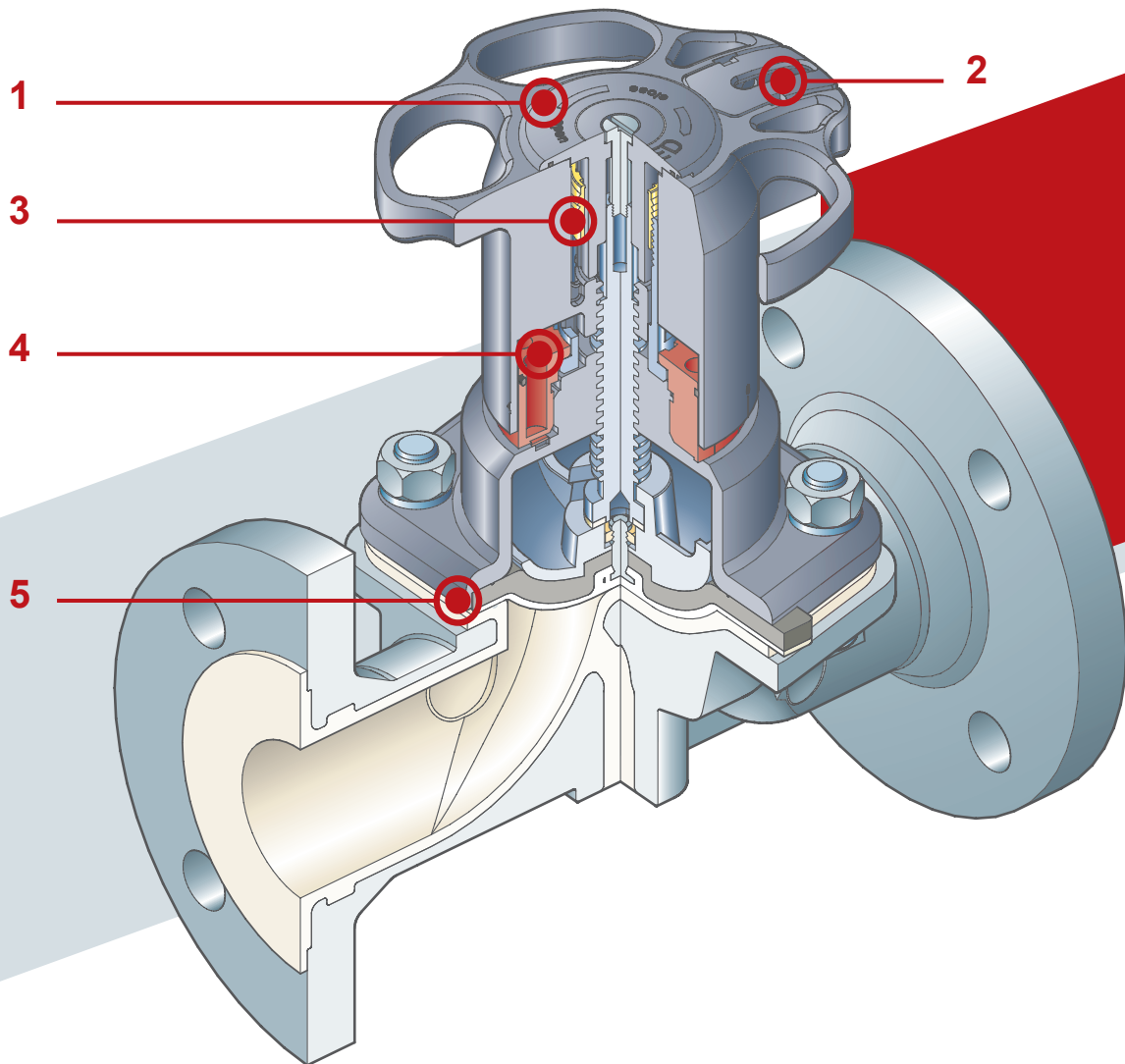
The K_v 100 flow coefficient is the Q flow rate of cubic meter per hour of water at a temperature of 20°C that will generate $\Delta p = 1$ bar pressure drop at a certain valve position.

The K_v 100 values shown in the table are calculated with the valve completely open.

DN	MA	Plastic lined	
		K_v m ³ /h	Cv gpm
15	25	5	6
20	25	9	11
25	25	13	15
32	40	23	27
40	40	26	30
50	50	50	59

Manual Valve

Type 905 DN 15 - 50 (1/2" - 2")



1 Adjustable internal travel stop to prevent excessive compression of the diaphragm

2 Locking System, innovative hand wheel with a patent ergonomic operating manual bonnet

3 Adjustable internal Stroke Limiter to adjust the linear movement of the upper position

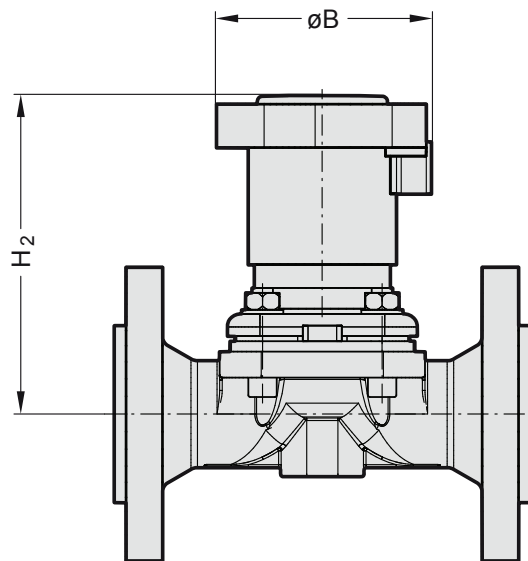
4 Optical position indicator supplied as standard

5 Encapsulated diaphragm to prevent the elastomer of the diaphragm from extruding beyond the body bonnet flange

Manual Valve

Type 905 DN 15 - 50 (1/2" - 2")

Flanged



Dimensions (mm)

DN	MA	øB	H ₂	Weight kg
15	25	100	123	3,1
20	25	100	123	3,2
25	25	100	123	4,4
32	40	140	177	8,0
40	40	140	177	8,0
50	50	140	195	11,0

Note: Valve body face to face (FTF) and flange dimensions see page 8.

Pneumatically Operated Valve

Type 188 DN 12 - 15 (3/8" - 1/2")

Type 188 is a compact designed valve ideal for using where space is at a premium.

The smooth contour finish of the plastic cover eliminates accumulation of dirt and is corrosion resistant.

The actuator is designed in plastic and is a highly efficient piston design.

Features

- Process media can be neutral or aggressive liquid, and gaseous, dependent upon material selection of body and diaphragm
- Flow can be in either direction
- Insensitive to dirty or contaminated media
- Excellent flow characteristics
- Bubble tight sealing
- Installation can be in any position
- Eliminates water hammer
- Complete with position indicator
- Compact construction
- Maintenance free Plastic- Piston actuator non corrosive
- Actuators for different orientated air control connection

Technical specifications

Design	Diaphragm Valve
Size range	DN 12 - 15
Diaphragm size see page 11	MA 10
Body material	Investment cast 1.4435/316L
End connection standards see page 8-9	Threaded socket: DIN ISO 228
Diaphragm material	EPDM, PTFE, NBR, FPM
Max. working pressure	6 bar (87 PSI)
Temperature range	Actuator type PS: -10 °C to +80 °C Actuator type HS: -10 °C to +150 °C depending on diaphragm and body material
Control functions	Single acting (NC or NO) and double-acting (DA) pneumatic piston actuator

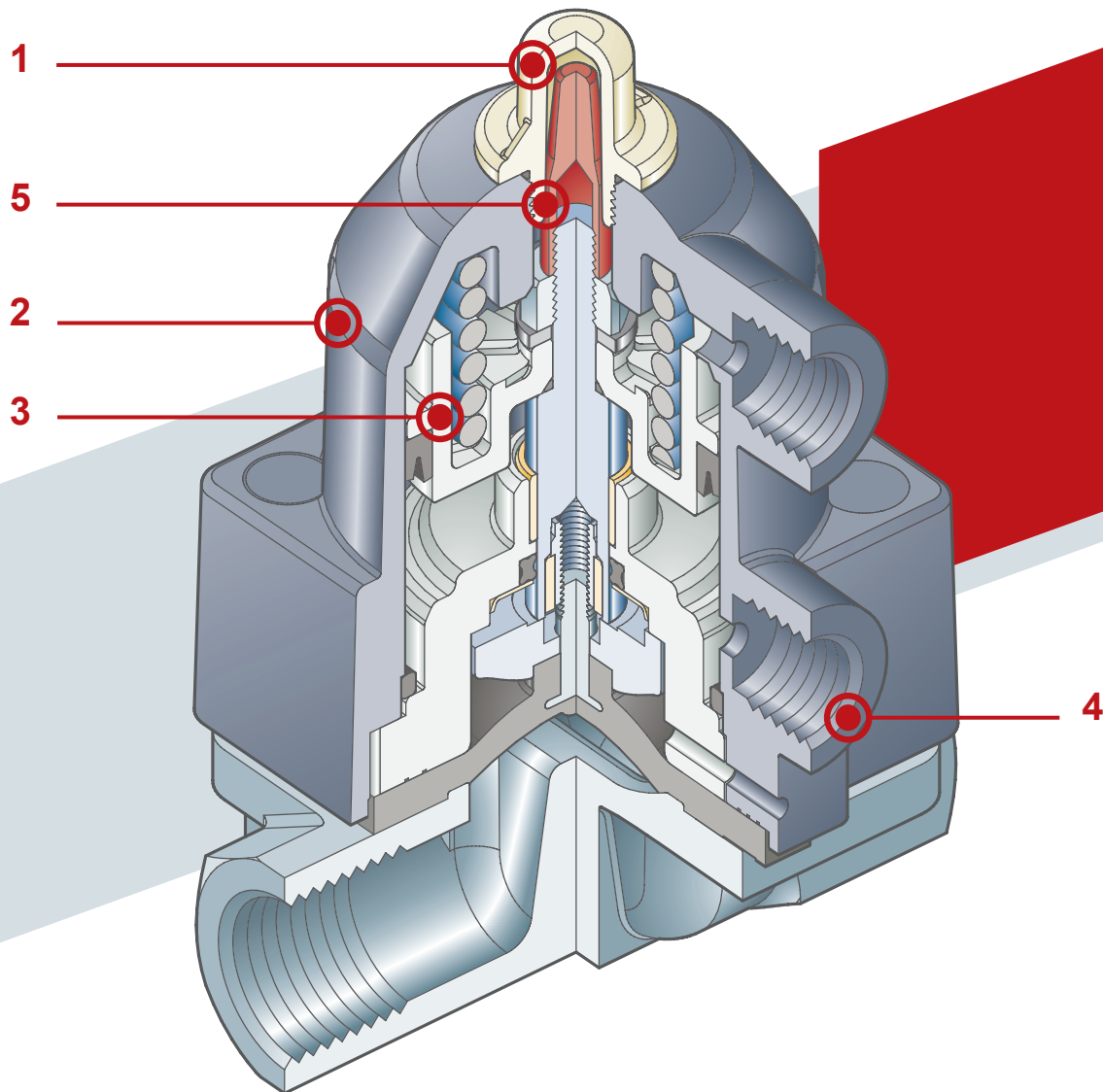
Note: Possible actuator and valve body combinations see page 7.
Ordering key see page 60.

Technical specifications - pneumatic actuator

Design	Efficient Plastic Piston Actuator
Actuator material	Actuator type PS: PP-GR Actuator type HS: PA MXD6-GF
Max. control air pressure	NC: 6 bar (87 PSI) NO/DA: 5 bar (72 PSI)
Control media	Dry or lubricated filtered compressed air. If using other fluids, contact the SED service center
Filling volume	NC: 0,027 NL, DN 12 - 15 NO/DA: 0,027 NL, DN 12 - 15
Control media temperature	Max. 40 °C
Ambient temperature	-20 °C to +50 °C
Accessories	See page 54

Pneumatically Operated Valve

Type 188 DN 12 - 15 (3/8" - 1/2")



1 High visibility optical position indicator protected by a transparent cover with O-Ring

2 Light and compact piston actuator in PP-GR, ideal for heavy-duty applications in chemically aggressive environments with a **diaphragm perimeter containment system** that ensures the perfect compression of the hard rubber without any lateral expansion

3 Piston in high strength PA MXD6-GF. The high quality finish of the surface guarantees perfect slidability over the seal and ensures a long working life without any actuator maintenance

4 Easy to install, even in confined spaces: **compressed air inlets with G 1/4" threaded optional available in alignment with the piping**

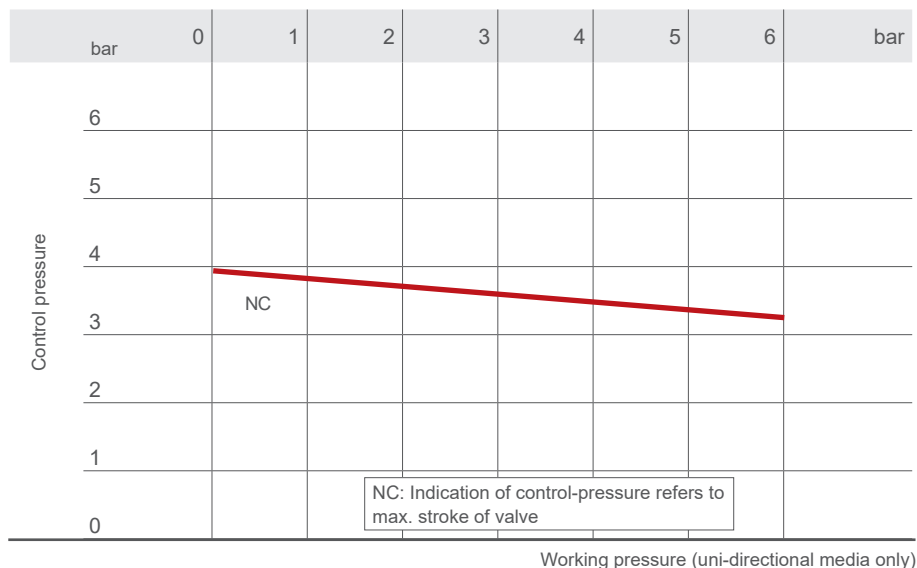
5 Connection thread for assembly of valve control equipment

Pneumatically Operated Valve

Type 188 - Technical Data

Control pressure according to Working pressure Type 188 NC

Minimum control pressure according to working pressure with EPDM, FPM diaphragm

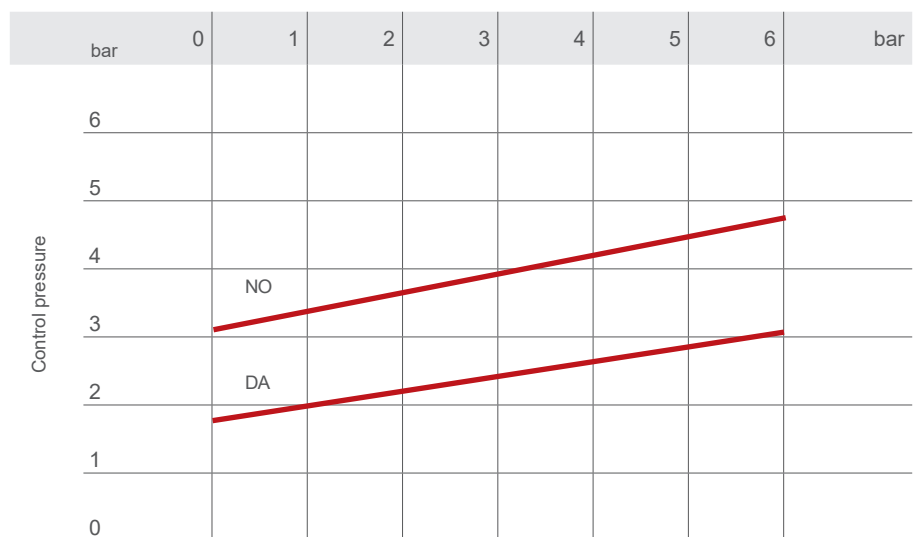


Working pressure (uni-directional media only)

Control pressure according to Working pressure Type 188 NO-DA

Minimum control pressure according to working pressure with EPDM, FPM diaphragm.

Higher control pressure than required may affect the lifetime of the working diaphragm.



Working pressure (uni-directional media only)

K_v 100 flow coefficient

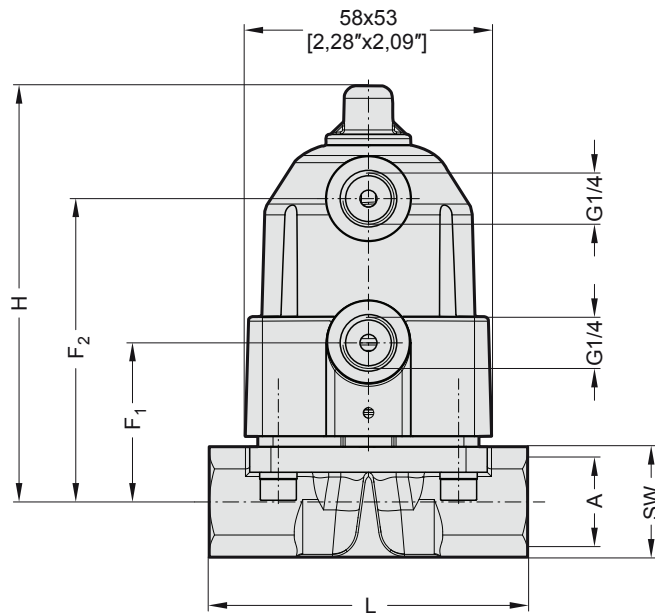
The K_v 100 flow coefficient is the Q flow rate of cubic meter per hour of water at a temperature of 20°C that will generate $\Delta p = 1$ bar pressure drop at a certain valve position.

The K_v 100 values shown in the table are calculated with the valve completely open.

DN	12	15
K_v m ³ /h	2,8	3,5
C_v gpm	3,3	4,0

Pneumatically Operated Valve Type 188 - Dimensions

Threaded Socket



Dimensions (mm)

DN	MA	A	L	SW	H	F ₁	F ₂	Weight kg
12	10	G3/8"	56	22	99	37	71	0,48
15	10	G1/2"	75	27	100	38	72	0,54

Pneumatically Operated Valve

Type 385 DN 15 - 100 (1/2" - 4")

Type 385 pneumatically operated valve with robust plastic actuator normally closed (NC), normally open (NO) or double acting (DA). This compact design and light weight valve has a smooth contour finish on the plastic cover to eliminate accumulation of dirt and is corrosion resistant. The actuator is designed as a maintenance free diaphragm actuator. Various accessories are available for adjustments, control and regulation which can be assembled in the factory or on the job site afterwards.

Features

- Process media can be neutral and aggressive liquid and gaseous, dependent upon material selection of body and diaphragm
- Flow can be in either direction
- Insensitive to dirty or contaminated media
- Excellent flow characteristics
- Bubble tight sealing
- Installation can be in any position
- Eliminates water hammer
- Compact construction
- Maintenance free non corrosive actuator

Technical specifications	
Design	Diaphragm Valve
Size range	DN 15 - 100
Diaphragm size see page 11	MA 25 - 100
Body material	Investment cast 1.4435/316L Investment cast 1.4435/316L-PFA-Lined S.G. iron EN-GJS-400-18-LT (GGG40.3)-PP-Lined S.G. iron EN-GJS-400-18-LT (GGG40.3)-PFA-Lined Cast iron EN-GJL-250 (GG 25) Cast iron EN-GJL-250 (GG 25)-Hard-Rubber-Lined Carbon steel EN-GP-240-GH (GS-C25)
End connection standards see page 8-9	Threaded socket: DIN ISO 228 Flange: EN 1092 PN10/16, ANSI Class 125/150
Diaphragm material	EPDM, PTFE, NBR, FPM
Max. working pressure	10 bar (150 PSI), DN 15 - 50 7 bar (100 PSI), DN 65 - 100
Temperature range	-10 °C to +80 °C, depending on diaphragm and body material
Control functions	Single acting (NC or NO) and double-acting (DA) pneumatic diaphragm actuator

Note: Possible actuator and valve body combinations see page 7.
Ordering key see page 60.

Pneumatically Operated Valve

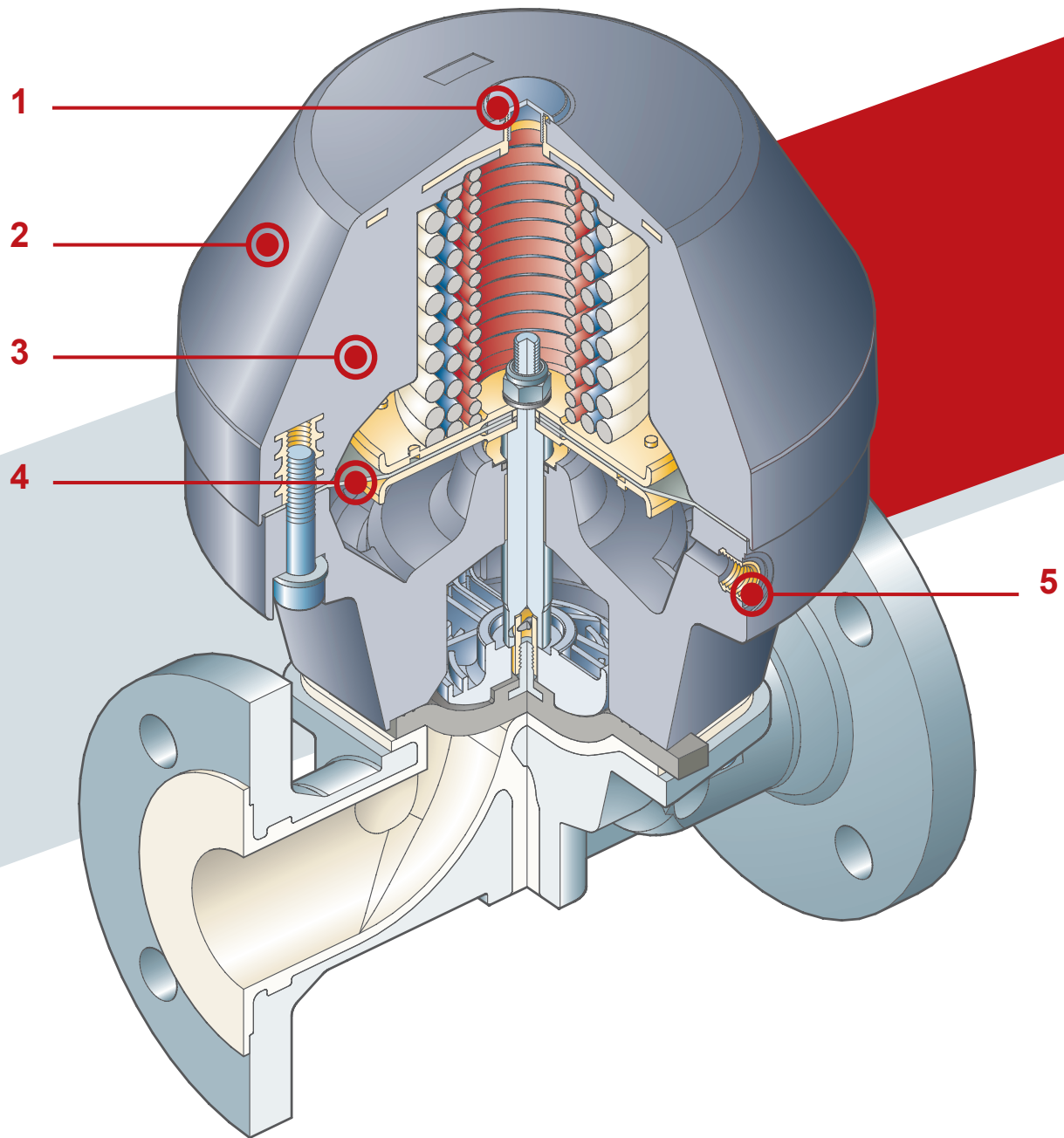
Type 385 DN 15 - 100 (1/2" - 4")

The **diaphragm actuator** in PP-GR is characterized by its robust and compact design, making 385 the ideal choice for demanding and chemically aggressive applications.

Technical specifications - pneumatic actuator	
Design	Diaphragm Actuator
Actuator material	PP-GR
Max. control air pressure	NC: 6 bar (87 PSI) NO/DA: 5 bar (72 PSI)
Control media	Dry or lubricated filtered compressed air. If using other fluids, contact the SED service center
Filling volume	NC: 0,16 NL, DN 15 - 25 0,36 NL, DN 32 - 40 1,15 NL, DN 50 2,1 NL, DN 65 - 80 2,5 NL , DN100 NO/DA: 0,06 NL, DN 15 - 25 0,11 NL, DN 32 - 40 0,32 NL, DN 50 2,2 NL, DN 65 - 80 2,5 NL , DN100
Control media temperature	Max. 40 °C
Ambient temperature	-20 °C to +50 °C
Accessories	See page 54

Pneumatically Operated Valve

Type 385 DN 15 - 100 (1/2" - 4")



1 Connection thread for assembly of valve control equipment

2 Robust diaphragm actuator with high chemical resistance. Available for control function Normally closed, Normally open and Double acting.

3 Robust plastic housing

4 Strong control diaphragm supported by two metal plates which ensures a long life

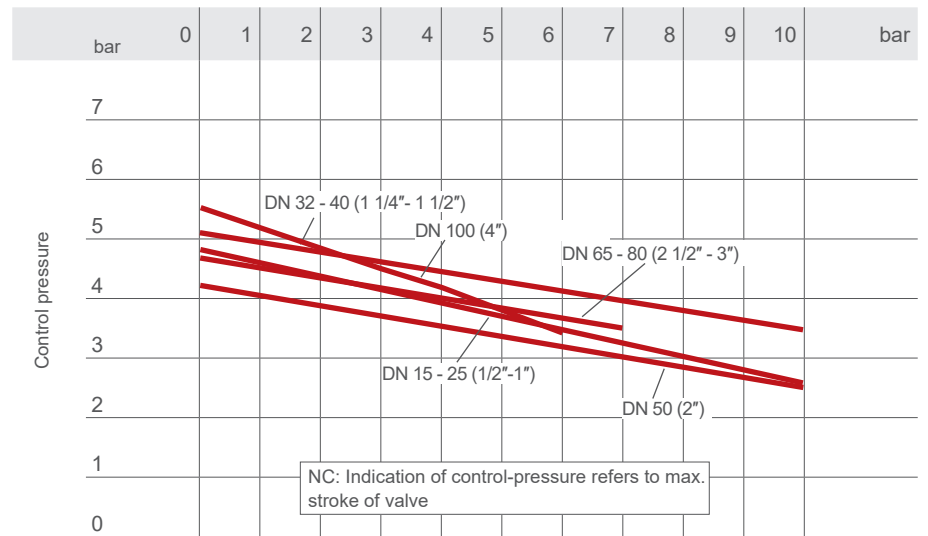
5 Control air connector G1/4" for control function "Normally closed"

Pneumatically Operated Valve

Type 385 - Technical Data

Control pressure according to Working pressure Type 385 NC

Minimum control pressure according to working pressure with EPDM, FPM diaphragm

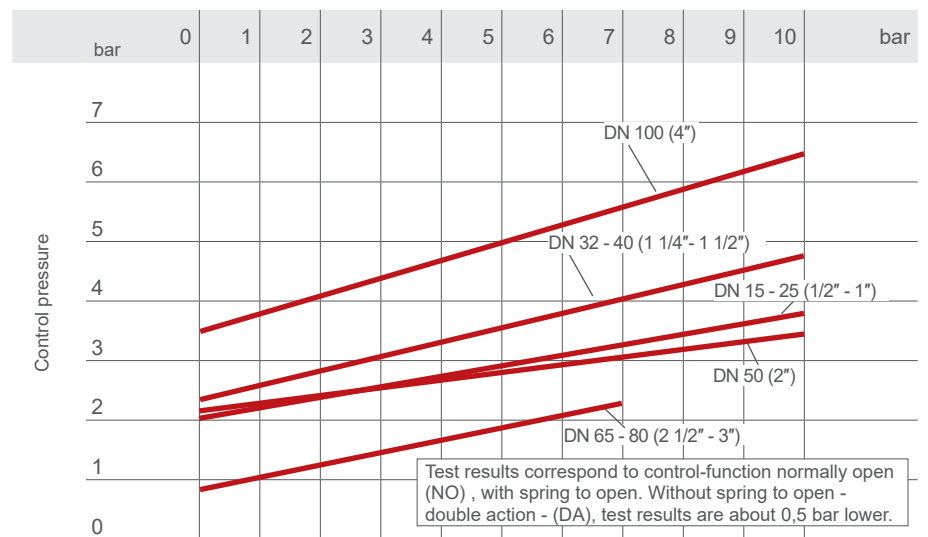


Working pressure (uni-directional media only)

Control pressure according to Working pressure Type 385 NO-DA

Minimum control pressure according to working pressure with EPDM, FPM diaphragm.

Higher control pressure than required may affect the lifetime of the working diaphragm.



Working pressure (uni-directional media only)

K_v 100 flow coefficient

The K_v 100 flow coefficient is the Q flow rate of cubic meter per hour of water at a temperature of 20°C that will generate $\Delta p = 1$ bar pressure drop at a certain valve position.

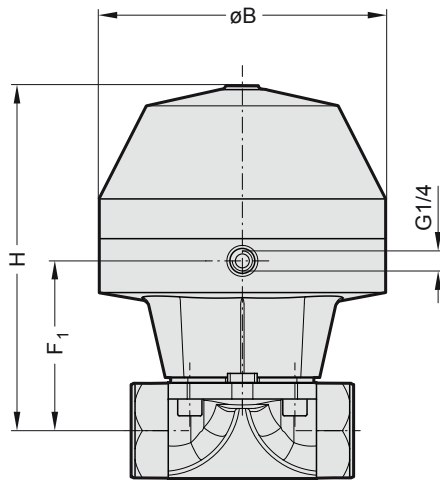
The K_v 100 values shown in the table are calculated with the valve completely open.

DN	MA	Unlined		Hard rubber lined		Plastic lined	
		K_v m ³ /h	Cv gpm	K_v m ³ /h	Cv gpm	K_v m ³ /h	Cv gpm
15	25	7	8	-	-	5	6
20	25	12	14	10	12	9	11
25	25	14	16	14	16	13	15
32	40	-	-	29	34	23	27
40	40	40	47	32	37	26	30
50	50	78	91	51	60	50	59
65	80	88	103	75	88	72	84
80	80	154	180	113	132	110	129
100	100	217	254	190	222	175	205

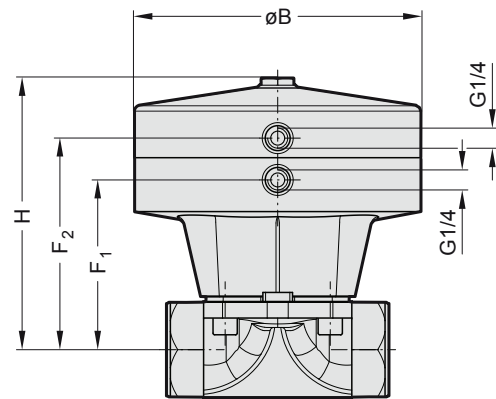
Pneumatically Operated Valve

Type 385 DN 15 - 100 (1/2" - 4")

Threaded Socket



NC



NO / DA

Dimensions (mm)

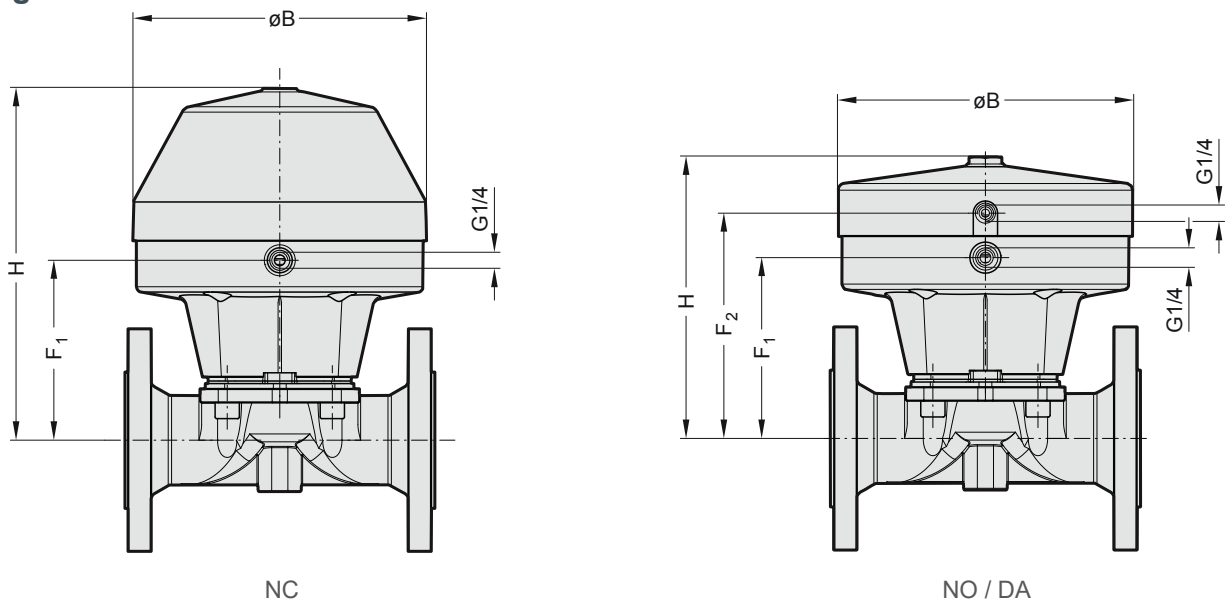
DN	MA	ØB	F ₁	Threaded Socket Version					
				NC		NO/DA			
				H	Weight kg	F ₁	F ₂	H	Weight kg
15	25	130	57	151	2,2	86	117	119	1,7
20	25	130	60	154	2,4	89	120	122	1,8
25	25	130	64	154	2,6	89	120	123	2,1
32	40	161	14	204	4,6	130	161	163	3,9
40	40	161	101	206	6,0	127	158	164	4,3
50	50	218	123	259	10,0	155	186	199	7,0

Note: Valve body face to face (FTF) and flange dimensions see page 8.

Pneumatically Operated Valve

Type 385 DN 15 - 100 (1/2" - 4")

Flanged



Dimensions (mm)

DN	MA	$\varnothing B$	Flanged Version						
			F_1	NC H	Weight kg	F_1	NO/DA F_2	H	Weight kg
15	25	130	66	160	3,6	95	126	128	3,1
20	25	130	66	160	4,4	95	126	128	3,9
25	25	130	70	160	4,9	95	126	129	4,4
32	40	161	108	208	9,0	134	165	167	8,0
40	40	161	108	213	9,0	134	165	171	9,0
50	50	218	127	263	15,0	159	190	203	13,0
65	80	265	182	330	25,0	225	266	291	22,0
80	80	265	182	330	26,0	225	266	291	23,0

Note: Valve body face to face (FTF) and flange dimensions see page 8.

Dimensions DN100 see page 46.

Pneumatically Operated Valve

Type 402 DN 15 - 50 (1/2" - 2")

Type 402 pneumatically operated valve with plastic piston actuator normally closed (NC), normally open (NO) or double acting (DA). Various accessories are available for adjustments, control and regulation which can be assembled in the factory or on the job site afterwards.

The **piston actuator** in PA MXD6-GF is characterized by its compact construction, making 402 the ideal choice for applications requiring very frequent valve operation and long valve lifetime.

Features

- Process media can be neutral and aggressive liquid and gaseous, dependent upon material selection of body and diaphragm
- Flow can be in either direction
- Insensitive to dirty or contaminated media
- Excellent flow characteristics
- Bubble tight sealing
- Installation can be in any position
- Eliminates water hammer
- Compact construction
- Maintenance free non corrosive actuator
- Control air connection in flow direction (optional)

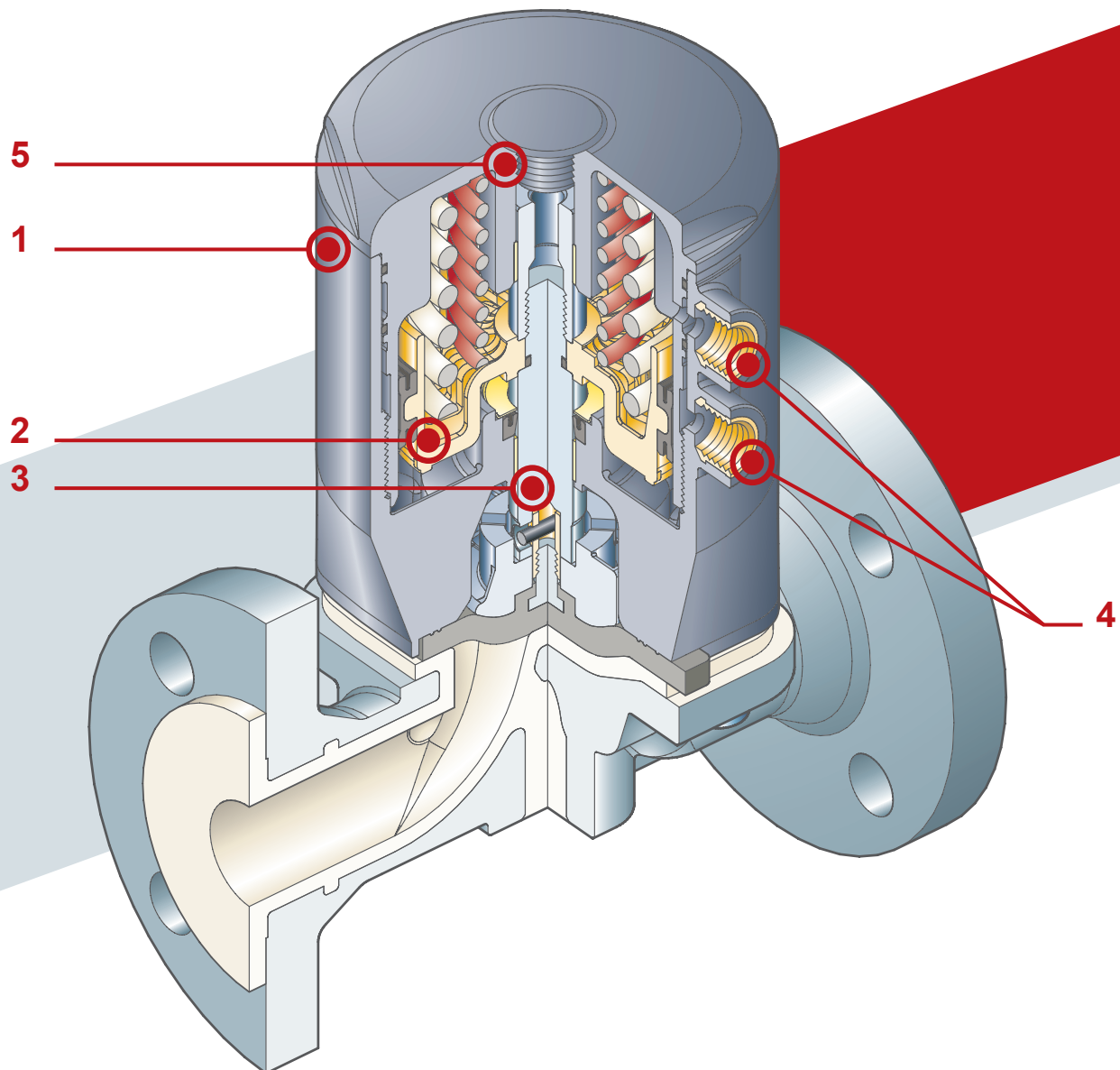
Technical specifications	
Design	Diaphragm Valve
Size range	DN 15 - 50
Diaphragm size see page 11	MA 25 - 50
Body material	Investment cast 1.4435/316L S.G. iron EN-GJS-400-18-LT (GGG40.3)-PP-Lined Cast iron EN-GJL-250 (GG 25) Cast iron EN-GJL-250 (GG 25)-Hard-Rubber-Lined Carbon steel EN-GP-240-GH (GS-C25)
End connection standards see page 8-9	Threaded socket: DIN ISO 228 Flange: EN 1092 PN10/16, ANSI Class 125/150
Diaphragm material	EPDM, PTFE, NBR, FPM
Max. working pressure	10 bar (150 PSI), DN 15 - 50
Temperature range	-10 °C to +120 °C, depending on diaphragm and body material
Control functions	Single acting (NC or NO) and double-acting (DA) pneumatic diaphragm actuator

Note: Possible actuator and valve body combinations see page 7.
Ordering key see page 60.

Technical specifications - pneumatic actuator	
Design	Plastic Piston Actuator
Actuator material	PA MXD6-GF
Max. control air pressure	NC: 4,5 - 7 bar (65 - 100 PSI) NO/DA: 4 - 5 bar (60 - 72 PSI)
Control media	Dry or lubricated filtered compressed air. If using other fluids, contact the SED service center
Filling volume	MA25 = 0,17 NL (NC), 0,20 NL (NO/DA) MA40 = 0,31 NL (NC), 0,34 NL (NO/DA) MA50 = 0,68 NL (NC), 0,80 NL (NO/DA)
Control media temperature	Max. 40 °C
Ambient temperature	-20 °C to +50 °C
Accessories	See page 54

Pneumatically Operated Valve

Type 402 DN 15 - 50 (1/2" - 2")



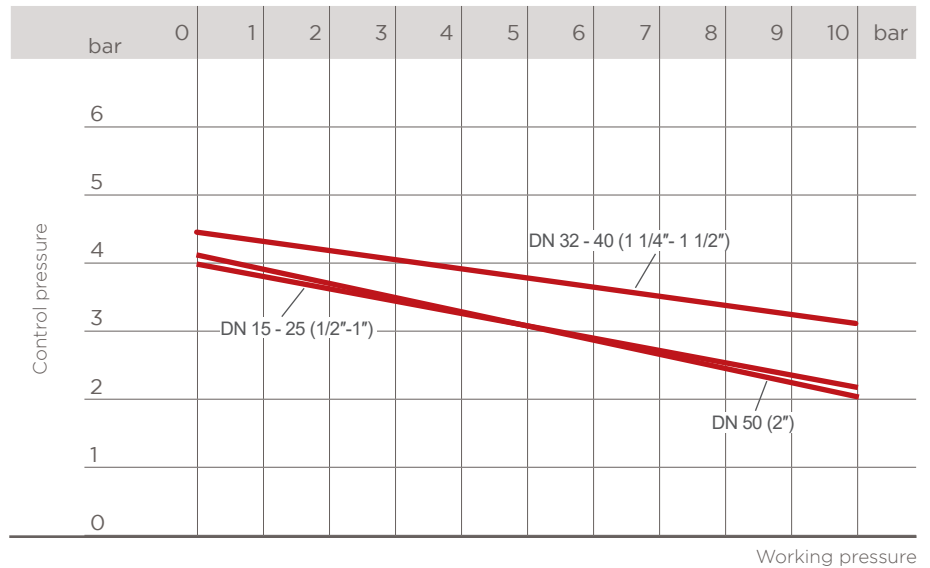
- 1** Light and compact piston actuator in PA MXD6-GF with a diaphragm perimeter containment system that ensures the perfect compression of the hard rubber without any lateral expansions
- 2** Piston in high strength PA MXD6-GF equipped with main gasket with lubrication system that allows up to 1 million valve operations to be performed without showing any signs of wear
- 3** High strength **stainless steel stem** with floating pin connection between the actuator stem and diaphragm to prevent concentrated loads, improve the seal and extend its lifetime
- 4** Easy to install, even in confined spaces: **compressed air inlets with G 1/4" threaded metal connections**, can be supplied in line with the piping
- 5** Connection thread for assembly of **valve control equipment**

Pneumatically Operated Valve

Type 402 - Technical Data

Control pressure according to Working pressure Type 402 NC

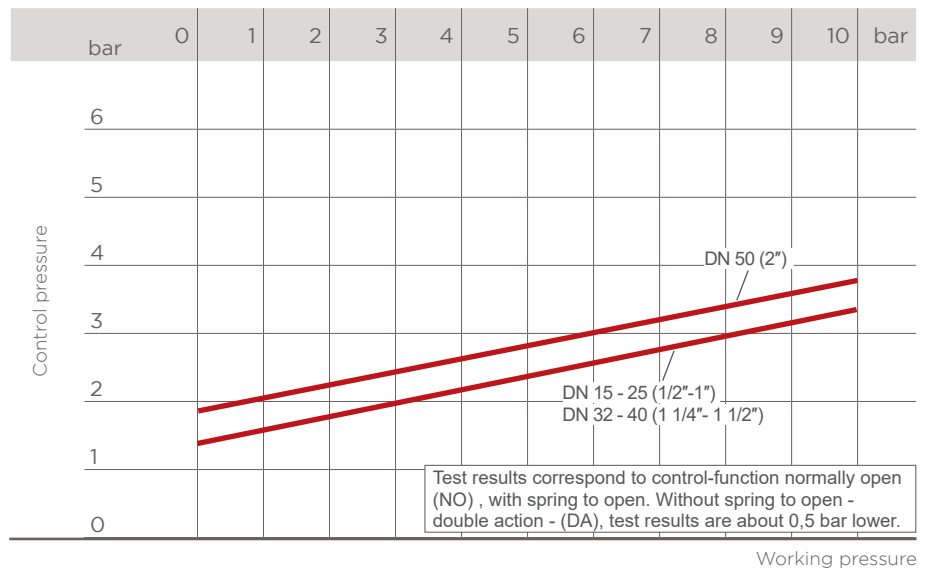
Minimum control pressure according to working pressure with EPDM, FPM diaphragm



Control pressure according to Working pressure Type 402 NO-DA

Minimum control pressure according to working pressure with EPDM, FPM diaphragm.

Higher control pressure than required may affect the lifetime of the working diaphragm.



K_v100 flow coefficient

The K_v100 flow coefficient is the Q flow rate of cubic meter per hour of water at a temperature of 20°C that will generate Δp = 1 bar pressure drop at a certain valve position.

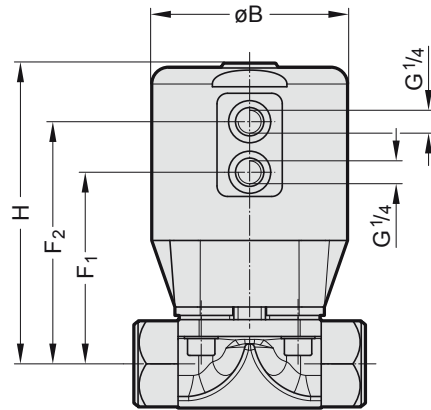
The K_v100 values shown in the table are calculated with the valve completely open.

DN	MA	Unlined		Hard rubber lined		Plastic lined	
		Kv m ³ /h	Cv gpm	Kv m ³ /h	Cv gpm	Kv m ³ /h	Cv gpm
15	25	7	8	-	-	5	6
20	25	12	14	10	12	9	11
25	25	14	16	14	16	13	15
32	40	-	-	29	34	23	27
40	40	40	47	32	37	26	30
50	50	78	91	51	60	50	59

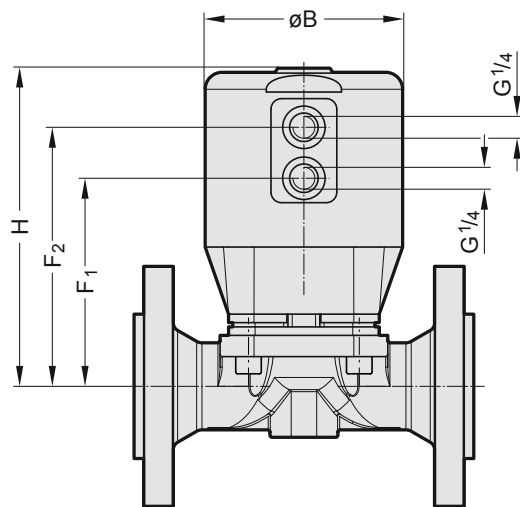
Pneumatically Operated Valve

Type 402 DN 15 - 50 (1/2" - 2")

Threaded Socket



Flanged



Dimensions (mm)

DN	MA	ØB	Threaded Socket Version				Flanged Version			
			F ₁	F ₂	H	Weight kg	F ₁	F ₂	H	Weight kg
15	25	95	84	108	136	1,75	93	117	146	3,1
20	25	95	87	111	139	1,86	93	117	146	4,0
25	25	95	91	115	143	2,2	91	115	141	4,5
32	40	115	100	124	162	3,6	96	120	154	8,0
40	40	115	103	127	164	4,1	108	132	169	8,0
50	50	144	147	171	215	7,0	149	173	211	13,0

Note: Valve body face to face (FTF) and flange dimensions see page 8.

Pneumatically Operated Valve

Type 487 DN 65 - 200 (2 1/2" - 8")

Type 487 pneumatically operated valve, normally closed (NC), normally open (NO) and double acting (DA).

The valves are designed with a maintenance free diaphragm actuator.

There are a wide range of actuators which has to be chosen depending on max working- and/or control pressure.

Various accessories are available for adjustments, control and regulation which can be assembled in the factory or almost all on the job site afterwards.

Features

- Process media can be neutral and aggressive liquid and gaseous, dependent upon material selection of body and diaphragm
- Flow can be in either direction
- Insensitive to dirty or contaminated media
- Excellent flow characteristics
- Bubble tight sealing
- Installation can be in any position
- Eliminates water hammer
- Maintenance free non corrosive actuator

Technical specifications

Design	Diaphragm Valve
Size range	DN 65 - 200
Diaphragm size see page 11	MA 65 - 200
Body material	S.G. iron EN-GJS-400-18-LT (GGG40.3)-PP-Lined S.G. iron EN-GJS-400-18-LT (GGG40.3)-PFA-Lined Cast iron EN-GJL-250 (GG 25) Cast iron EN-GJL-250 (GG 25)-Hard-Rubber-Lined
End connection standards see page 8-9	Flange: EN 1092 PN10/16, ANSI Class 125/150
Diaphragm material	EPDM, PTFE, NBR, FPM
Max. working pressure	See table page 39.
Temperature range	-10 °C to +150 °C, depending on diaphragm and body material
Control functions	Single acting (NC or NO) and double-acting (DA) pneumatic diaphragm actuator

Note: Possible actuator and valve body combinations see page 7.
Ordering key see page 60.

Pneumatically Operated Valve

Type 487 DN 65 - 200 (2 1/2" - 8")

The robust design of the **diaphragm actuator** is ideal for application where chemical resistance and mechanical properties are required.

Technical specifications - pneumatic actuator	
Design	Diaphragm Actuator
Actuator material	Robust plastic housing, Actuator size 3,5,7 Robust metal housing 4,6,8,9
Max. control air pressure	See table below and diagram on the following pages
Control media	Dry or lubricated filtered compressed air. If using other fluids, contact the SED service center
Filling volume	Actuator size: 3, 5, 7 = 2,5 NL Actuator size: 4, 6, 8 = 6,8 NL Actuator size: 9, 6/2, 8/2 = 13,6 NL
Control media temperature	Max. 40 °C
Ambient temperature	-20 °C to +50 °C
Accessories	See page 54

Technical Data

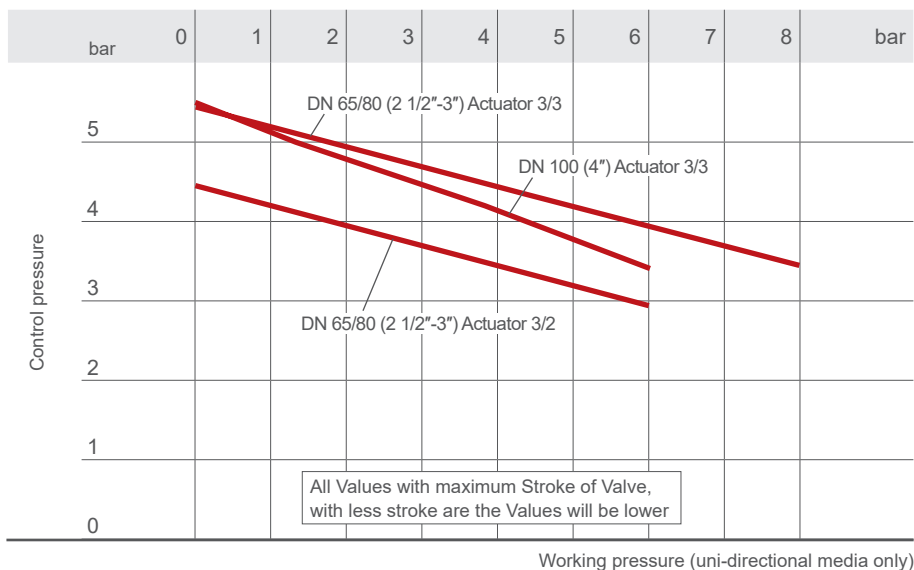
DN	MA	Normally Closed NC - Code 1				Normally Open NO - Code 2				Double acting DA - Code 3			
		Actuator size		Working pressure bar		Control pressure bar		Actuator size		Working pressure bar		Control pressure bar	
		Code	EPDM/FPM	PTFE		Code	EPDM/FPM	PTFE		Code	EPDM/FPM	PTFE	
65	65	3/1	0 - 3	0 - 2	2,6 - 7,0	5	0 - 10	0 - 6	max. 4,5	7	0 - 10	0 - 6	max. 4,0
		3/2	0 - 6	0 - 4	4,5 - 7,0								
		3/3	0 - 10	0 - 6	5,5 - 7,0								
65	80	3/1	0 - 3	0 - 2	4,5 - 7,0	5	0 - 10	0 - 6	max. 5,5	7	0 - 10	0 - 6	max. 4,0
		3/2	0 - 7	0 - 5	5,6 - 7,0								
		3/3	0 - 10	0 - 6	3,5 - 7,0								
80	80	3/2	0 - 3	0 - 2	4,5 - 7,0	5	0 - 10	0 - 6	max. 5,5	7	0 - 10	0 - 6	max. 5,0
		3/3	0 - 10	0 - 5	5,6 - 7,0								
		4/2	0 - 10	0 - 6	3,5 - 7,0								
100	100	3/3	0 - 6	0 - 4	6,2 - 7,0	5	0 - 6	0 - 4	max. 5,0	7	0 - 6	0 - 4	max. 4,5
		4/3	0 - 10	0 - 6	4,5 - 7,0	6	0 - 10	0 - 7	max. 3,5	8	0 - 10	0 - 6	max. 3,0
125	125	4/2	0 - 5	0 - 3	4,0 - 7,0	6	0 - 10	0 - 7	max. 4,5	8	0 - 10	0 - 6	max. 4,0
		4/3	0 - 8	0 - 5	5,5 - 7,0								
150	150	4/3	0 - 6	0 - 4	5,5 - 7,0	6	0 - 8	0 - 5	max. 4,5	8	0 - 8	0 - 5	max. 4,0
		9/2	0 - 6	0 - 4	3,5 - 7,0								
200	200	9/3	0 - 8	0 - 6	4,0 - 7,0	6	0 - 3	N/A	max. 4,5	8	0 - 3	N/A	max. 4,0
		4/3	0 - 3	N/A	5,5 - 7,0								
		9/3	0 - 6	0 - 4	4,0 - 7,0	6/2	0 - 6	0 - 4		8/2	0 - 6	0 - 4	

Pneumatically Operated Valve

Type 487 - Technical Data

Control pressure according to Working pressure Type 487 Actuator 3 NC

Minimum control pressure according to working pressure with EPDM, FPM diaphragm

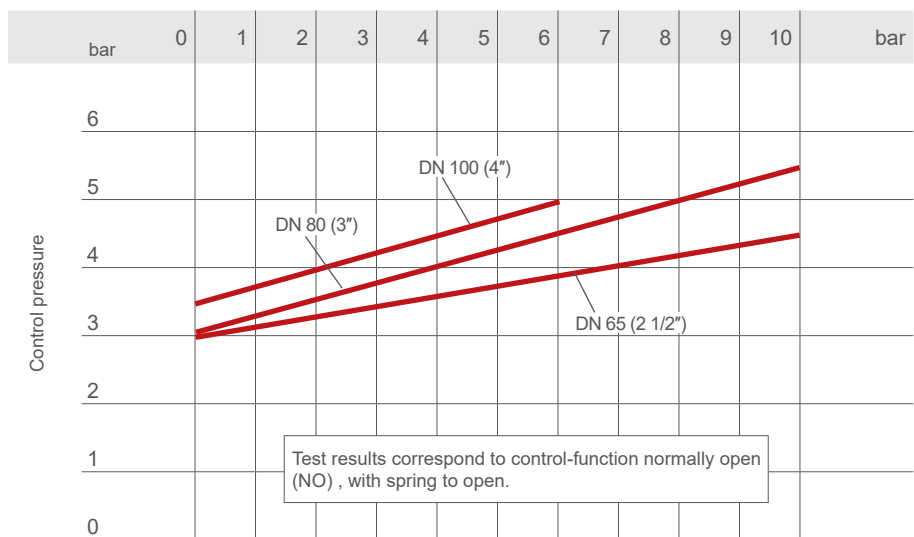


Working pressure (uni-directional media only)

Control pressure according to Working pressure Type 487 Actuator 5 NO Type 487 Actuator 7 DA

Minimum control pressure according to working pressure with EPDM, FPM diaphragm.

Higher control pressure than required may affect the lifetime of the working diaphragm.



Working pressure (uni-directional media only)

K_v 100 flow coefficient

The K_v 100 flow coefficient is the Q flow rate of cubic meter per hour of water at a temperature of 20°C that will generate $\Delta p = 1$ bar pressure drop at a certain valve position.

The K_v 100 values shown in the table are calculated with the valve completely open.

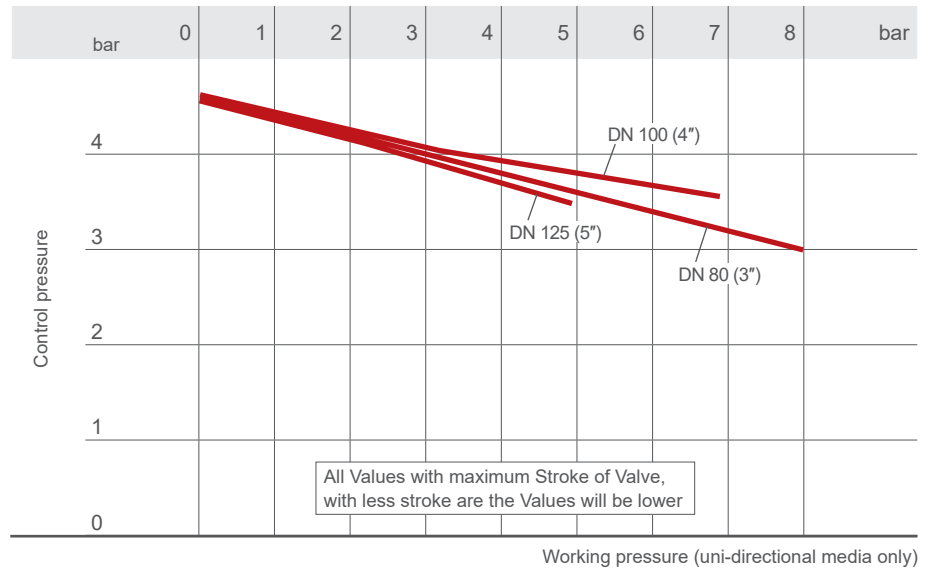
DN	MA	Unlined		Hard rubber lined		Plastic lined	
		Kv m ³ /h	Cv gpm	Kv m ³ /h	Cv gpm	Kv m ³ /h	Cv gpm
65	65	88	103	75	88	-	-
65	80	-	-	-	-	72	84
80	80	154	180	113	132	110	129
100	100	217	254	190	222	175	205
125	125	280	328	240	281	214	250
150	150	478	559	395	462	365	427
200	200	840	983	730	854	730	854

Pneumatically Operated Valve

Type 487 - Technical Data

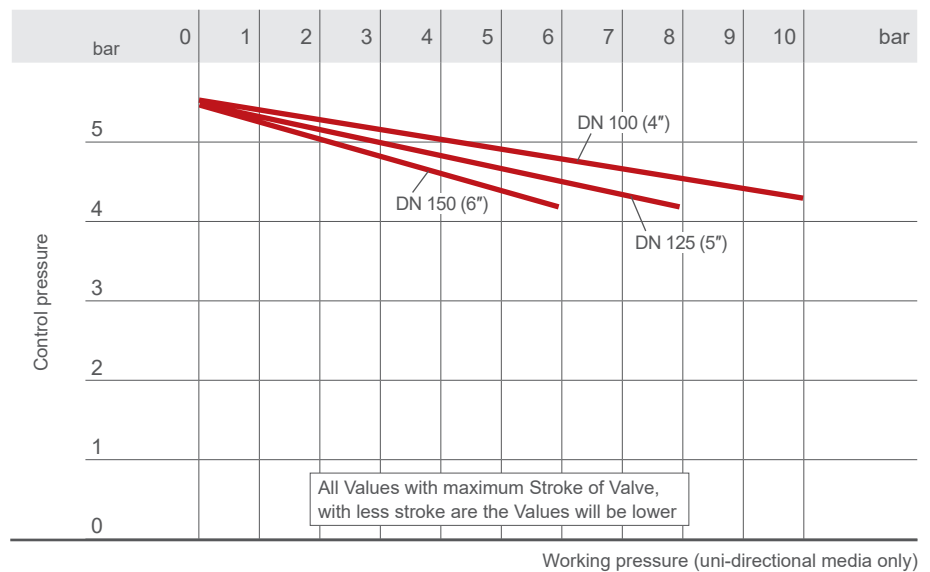
Control pressure according to Working Pressure Type 487 Actuator 4/2 NC

Minimum control pressure according to working pressure with EPDM, FPM diaphragm



Control pressure according to Working Pressure Type 487 Actuator 4/3 NC

Minimum control pressure according to working pressure with EPDM, FPM diaphragm



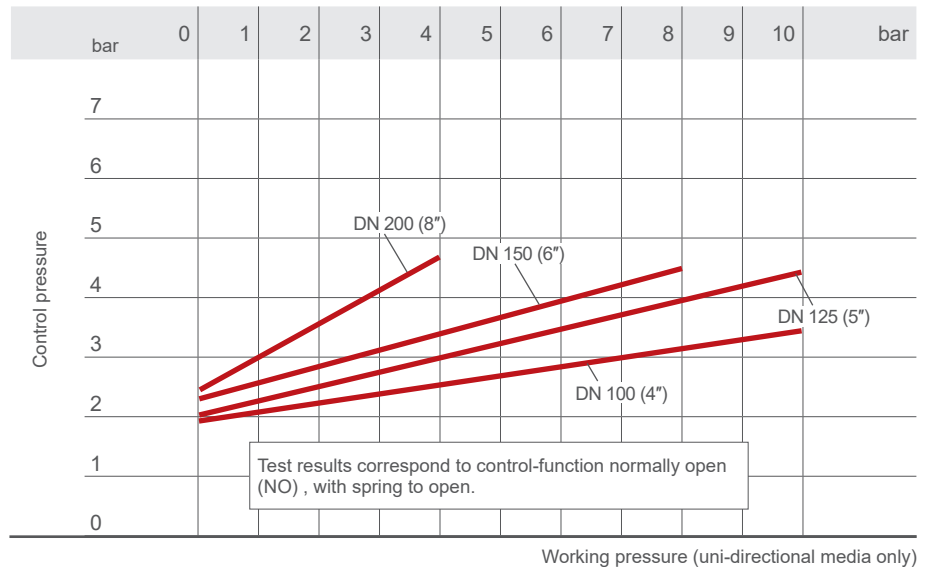
Pneumatically Operated Valve

Type 487 - Technical Data

Control pressure according to Working Pressure Type 487 Actuator 6 NO Type 487 Actuator 8 DA

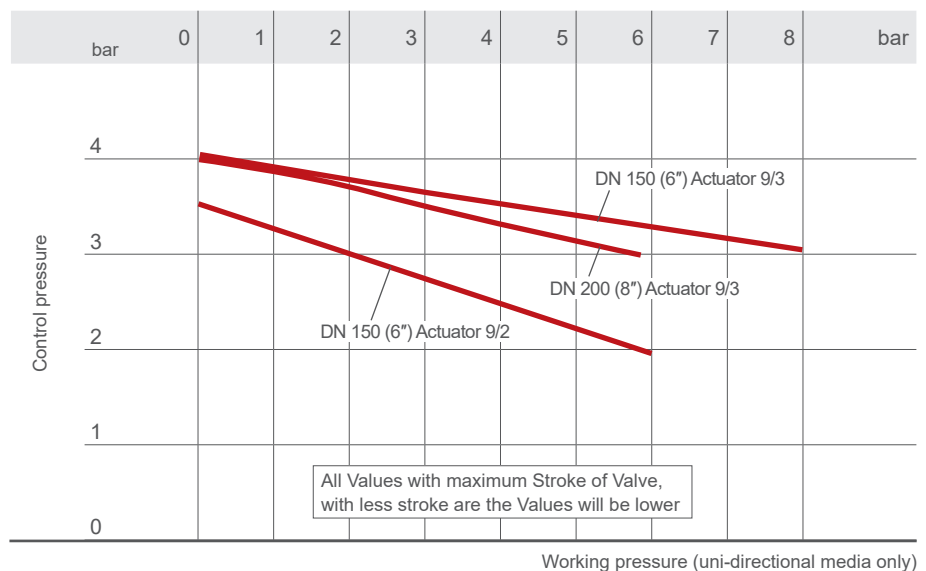
Minimum control pressure according to working pressure with EPDM, FPM diaphragm.

Higher control pressure than required may affect the lifetime of the working diaphragm.



Control pressure according to Working Pressure Type 487 Actuator 9 NC

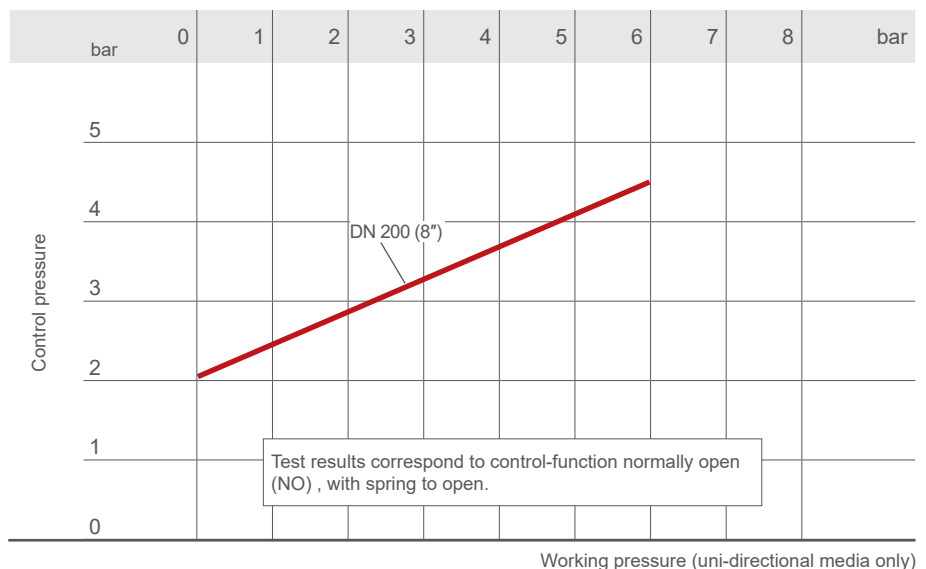
Minimum control pressure according to working pressure with EPDM, FPM diaphragm



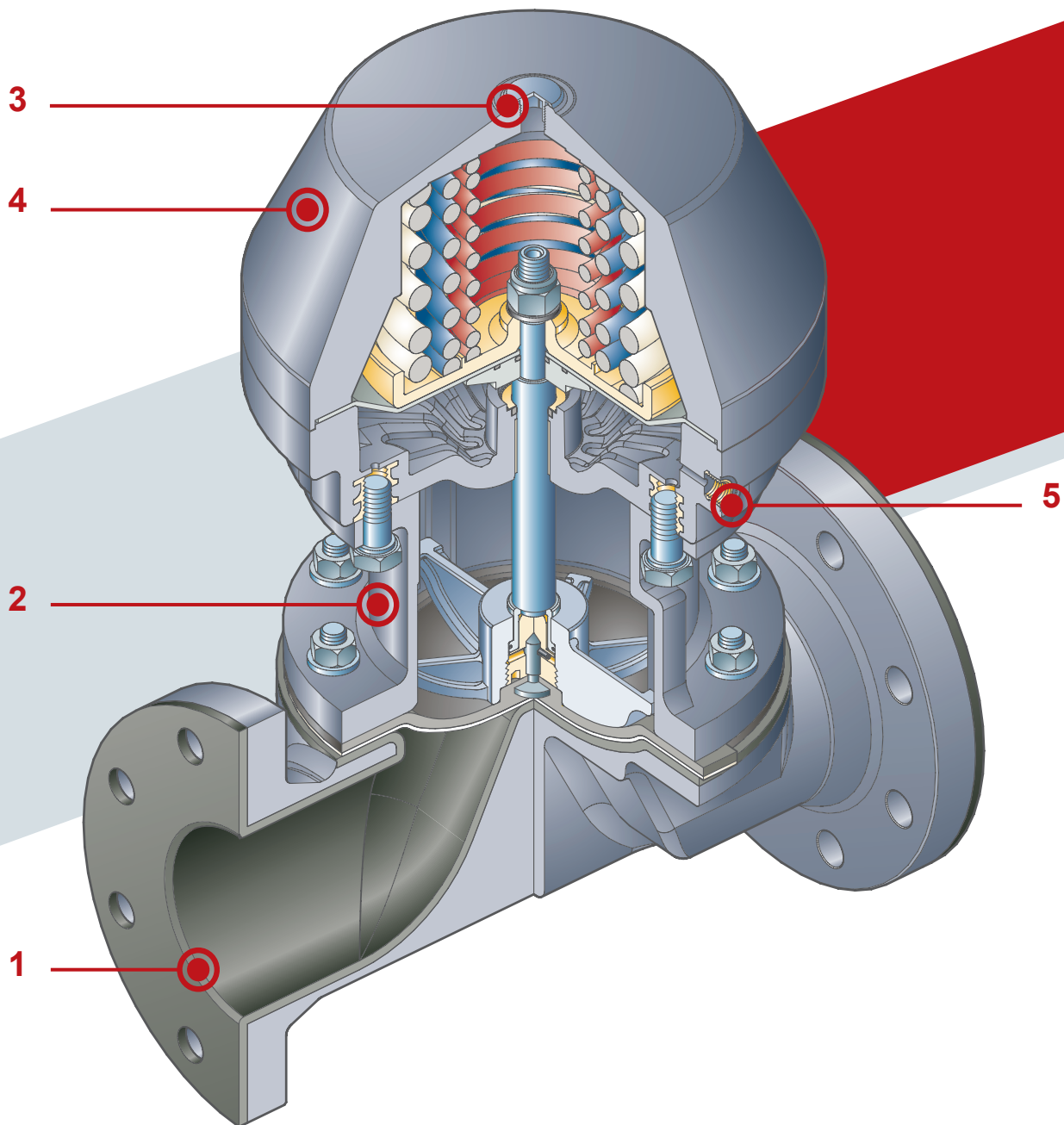
Control pressure according to Working Pressure Type 487 Actuator 6/2 NO Type 487 Actuator 8/2 DA

Minimum control pressure according to working pressure with EPDM, FPM diaphragm.

Higher control pressure than required may affect the lifetime of the working diaphragm.



Pneumatically Operated Valve Type 487 - Actuator Size 3, NC



1 Cast iron EN-GJL-250 **hard rubber lined valve body**. Various other linings are available (e.g. PFA, PP, etc.)

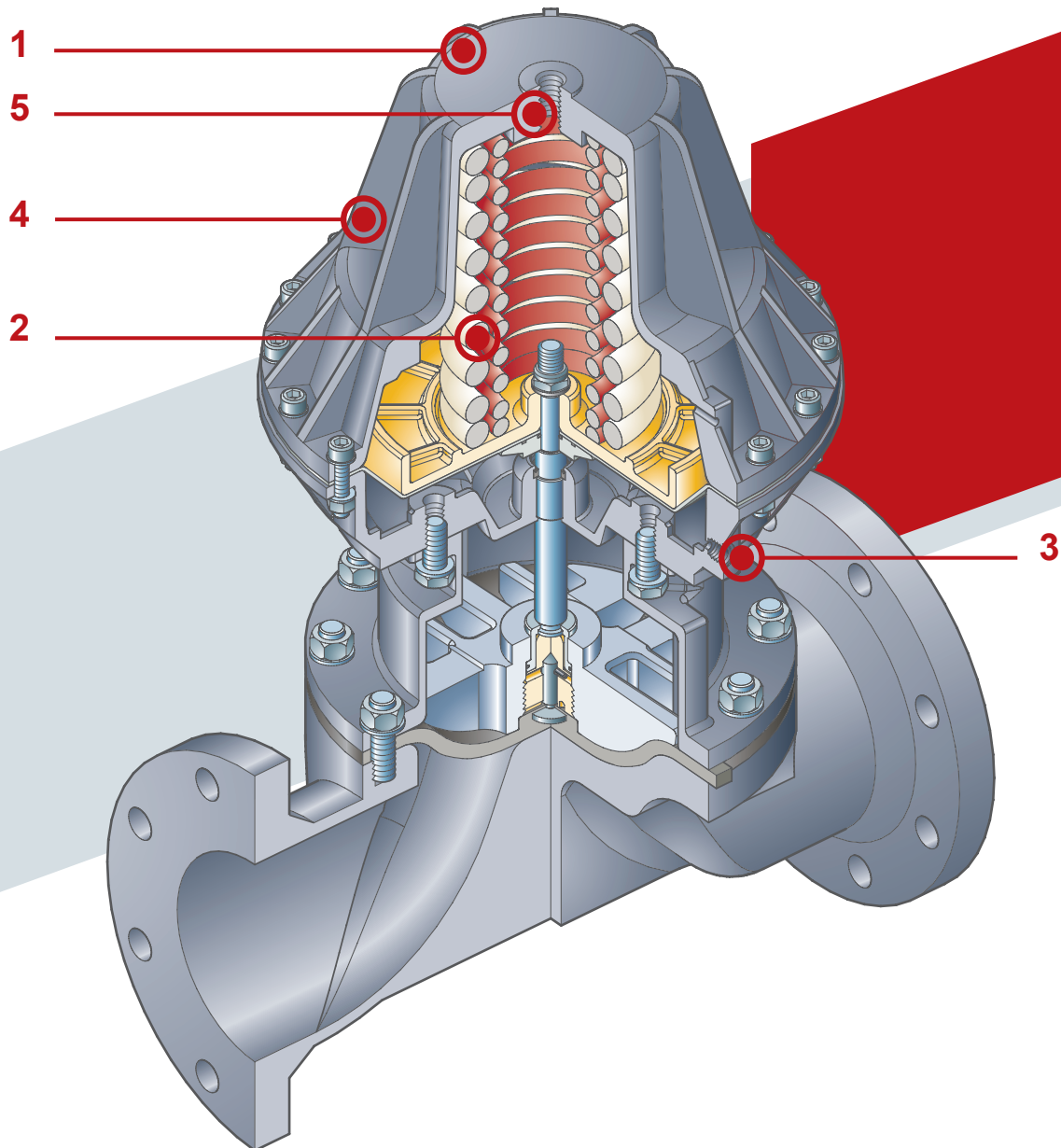
2 Cast iron **distance piece** for high temperature applications

3 Connection thread for assembly of **valve control equipment**

4 **Robust diaphragm actuator** with high chemical resistance. Available for control function Normally closed, Normally open and Double acting.

5 **Control air connector G1/4"** for control function "Normally closed"

Pneumatically Operated Valve Type 487 - Actuator Size 4, NC



1 Robust metal housing

2 Flexible spring sets cover a wide range of operating pressures

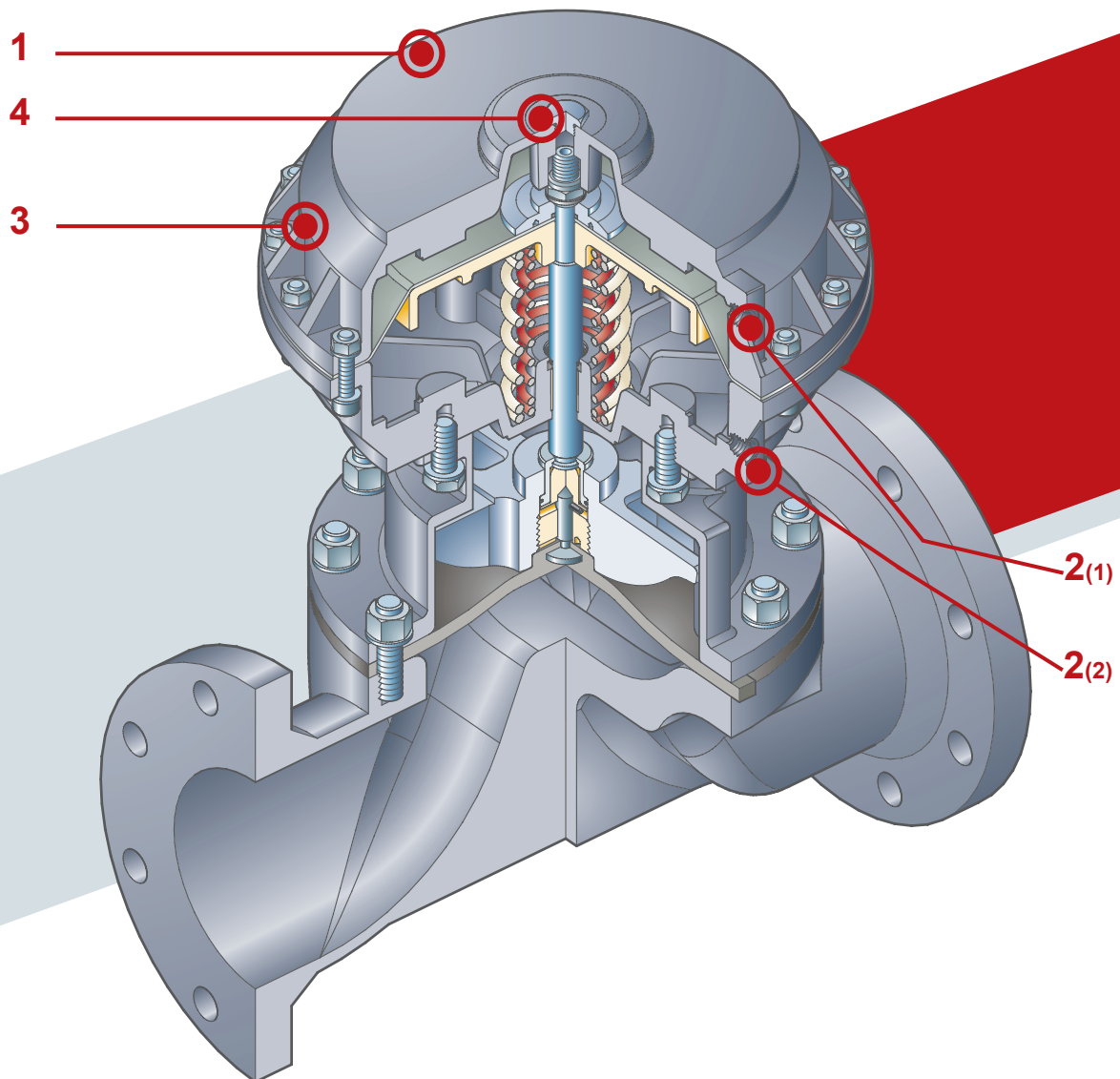
3 Control air connector G1/4" for control function "Normally closed"

4 Robust diaphragm actuator with high chemical resistance. Available for control function Normally closed, Normally open and Double acting.

5 Connection thread for assembly of valve control equipment

Pneumatically Operated Valve

Type 487 - Actuator Size 6, NO



1 Robust metal housing

2 Control air connector G1/4"

2(1) for control function "Normally open"

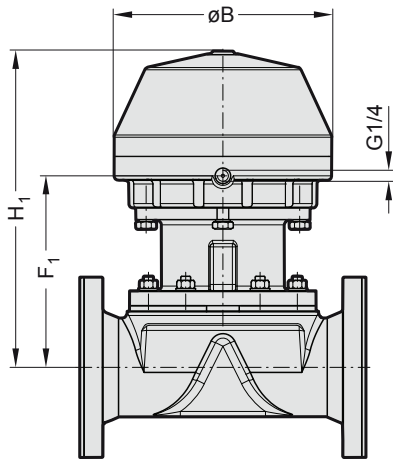
2(1) + 2(2) for control function "Double acting", no spring in the actuator

3 Robust diaphragm actuator with high chemical resistance. Available for control function Normally closed, Normally open and Double acting.

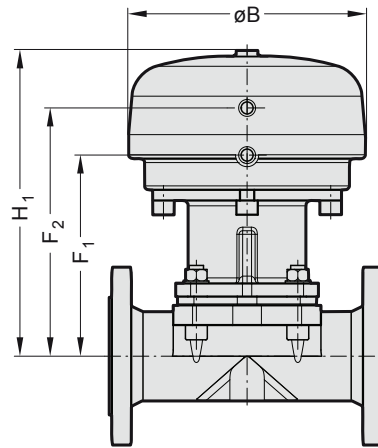
4 Connection thread for assembly of valve control equipment

Pneumatically Operated Valve

Type 487 - Dimensions



Actuator 3 NC
DN 65 - DN 100
Valve normally closed



Actuator 5 NO DN 65 - 100
Actuator 7 DA DN 65 - 100

Dimensions (mm)

DN	MA	Actuator size 3				Actuator size 5 / 7				Actuator size 5 Weight kg	Actuator size 7 Weight kg
		ØB	F ₁	H ₁	Weight kg	ØB	F ₁	F ₂	H ₁		
65 ¹	65	266	210	365	33	266	217	271	332	30	29
65	80	266	242	395	33	266	230	283	346	30	29
80	80	266	237	390	34	266	245	298	362	31	30
100 ²	100	266	257	410	42	266	230	281	347	39	38

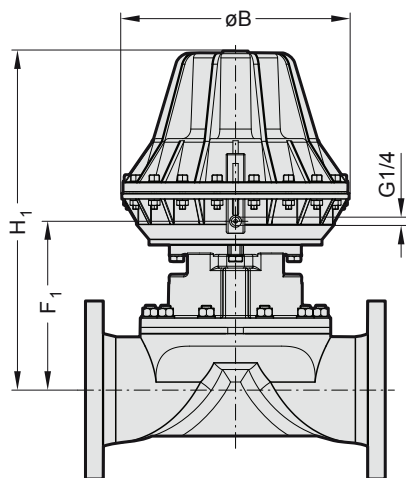
Note: Valve body face to face (FTF) and flange dimensions see page 8.

¹ Only valid for Hard Rubber Lined and Unlined Valves.

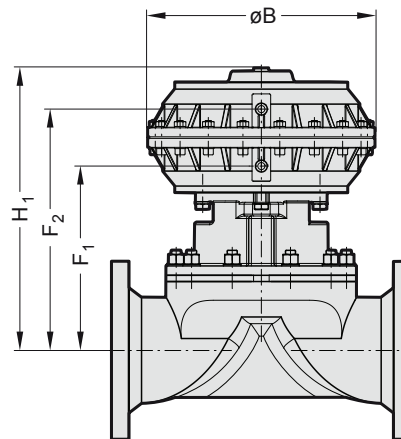
² Dimensions also valid for Type 385 see page 28.

Pneumatically Operated Valve

Type 487 - Dimensions



Actuator 4 NC
DN 80 - DN 200
Valve normally closed



Actuator 6 NO DN 100 - 200
Actuator 8 DA DN 100 - 200

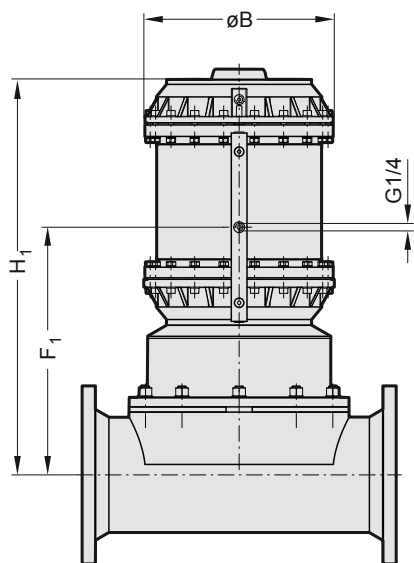
Dimensions (mm)

DN	MA	Actuator size 4				Actuator size 6 / 8				Actuator size 6 Weight kg	Actuator size 8 Weight kg
		ØB	F ₁	H ₁	Weight kg	ØB	F ₁	F ₂	H ₁		
80	80	360	231	494	73	-	-	-	-	-	-
100	100	360	243	506	81	360	232	322	385	71	70
125	125	360	270	533	91	360	267	357	420	81	80
150	150	360	289	552	104	360	278	368	431	94	93
200	200	360	344	607	130	360	333	423	486	172	170

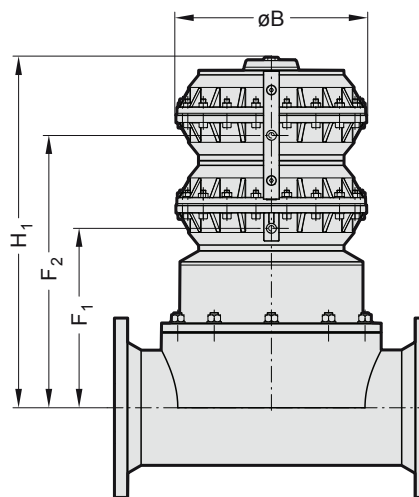
Note: Valve body face to face (FTF) and flange dimensions see page 8.

Pneumatically Operated Valve

Type 487 - Dimensions



Actuator 9/2 NC
DN 150 - DN 200
Valve normally closed



Actuator 6/2 NO DN 150 - 200
Actuator 8/2 DA DN 150 - 200

Dimensions (mm)

DN	MA	Actuator size 9/2				Actuator size 9/3				Actuator size 8/2				
		ØB	F ₁	H ₁	Weight kg	ØB	F ₁	H ₁	Weight kg	ØB	F ₁	F ₂	H ₁	Weight kg
150	150	360	540	780	196	360	540	780	207	360	470	560	621	178
200	200	-	-	-	-	360	600	835	236	360	570	665	720	204

Note: Valve body face to face (FTF) and flange dimensions see page 8.

Pneumatically Operated Valve

Type 495 DN 15 - 50 (1/2" - 2")

Type 495 pneumatically operated valve with plastic actuator normally closed (NC), normally open (NO) or double acting (DA). This compact design and light weight valve has a smooth contour finish on the plastic cover to eliminate accumulation of dirt and is corrosion resistant. The actuator is designed as a maintenance free diaphragm actuator. Various accessories are available for adjustments, control and regulation which can be assembled in the factory or on the job site afterwards.

Features

- Process media can be neutral or aggressive liquid, and gaseous, dependent upon material selection of body and diaphragm
- Flow can be in either direction
- Insensitive to dirty or contaminated media
- Excellent flow characteristics
- Bubble tight sealing
- Installation can be in any position
- Eliminates water hammer
- Maintenance free plastic diaphragm actuator non corrosive
- Actuators for different orientated air control connection

Technical specifications	
Design	Diaphragm Valve
Size range	DN 15 - 50
Diaphragm size see page 11	MA 25 - 50
Body material	Investment cast 1.4435/316L-PFA-Lined
End connection standards see page 8-9	Flange: EN 1092 PN10/16, ANSI Class 125/150
Diaphragm material	EPDM, PTFE, NBR, FPM
Max. working pressure	10 bar (150 PSI)
Temperature range	-10 °C to +150 °C, depending on diaphragm and body material
Control functions	Single acting (NC or NO) and double-acting (DA) pneumatic diaphragm actuator

Note: Possible actuator and valve body combinations see page 7.
Ordering key see page 60.

Pneumatically Operated Valve

Type 495 DN 15 - 50 (1/2" - 2")

The robust design of the **diaphragm actuator** is ideal for application where chemical resistance and mechanical properties are required.

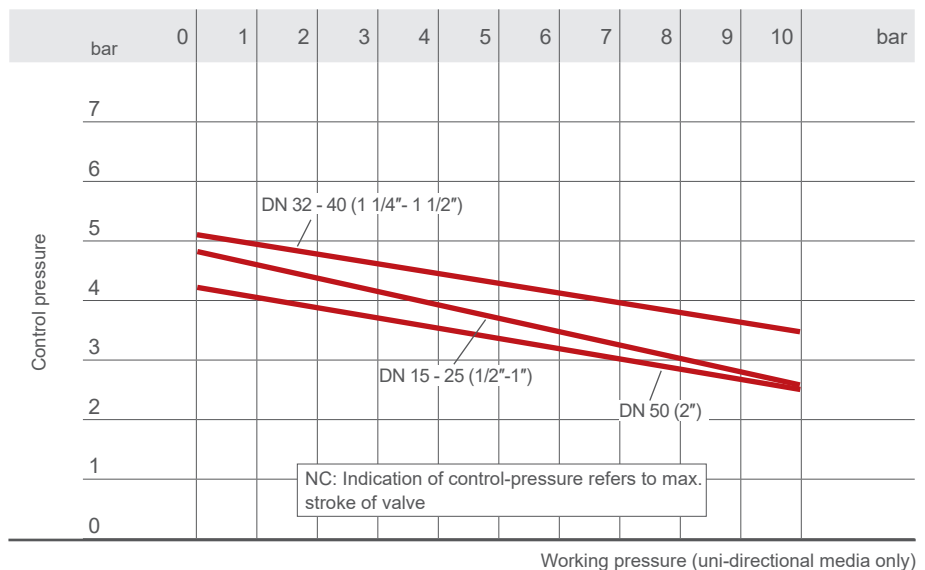
Technical specifications - pneumatic actuator	
Design	Diaphragm Actuator
Actuator material	Robust plastic housing PP-GR with stainless steel distance piece
Max. control air pressure	NC: 7 bar (100 PSI) NO/DA: 5 bar (72 PSI)
Power supply	Dry or lubricated filtered compressed air. If using other fluids, contact the SED service center
Filling volume	NC: 0,16 NL, DN 15 - 25 0,36 NL, DN 32 - 40 1,15 NL, DN 50 NO/DA: 0,06 NL, DN 15 - 25 0,11 NL, DN 32 - 40 0,32 NL, DN 50
Control fluid temperature	Max. 40 °C
Ambient temperature	-20 °C to +50 °C
Accessories	See page 54

Pneumatically Operated Valve

Type 495 - Technical Data

Control pressure according to Working pressure Type 495 NC

Minimum control pressure according to working pressure with EPDM, FPM diaphragm

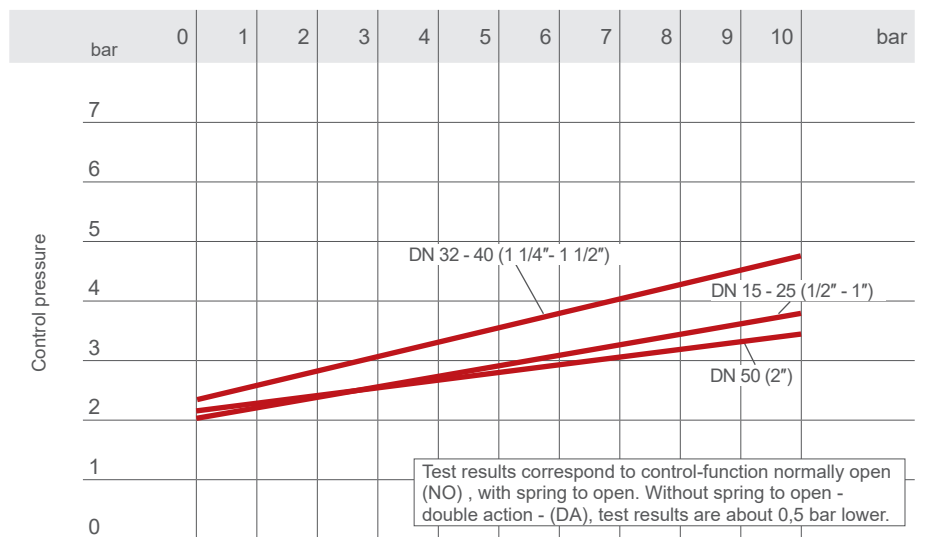


Working pressure (uni-directional media only)

Control pressure according to Working pressure Type 495 NO-DA

Minimum control pressure according to working pressure with EPDM, FPM diaphragm.

Higher control pressure than required may affect the lifetime of the working diaphragm.



Working pressure (uni-directional media only)

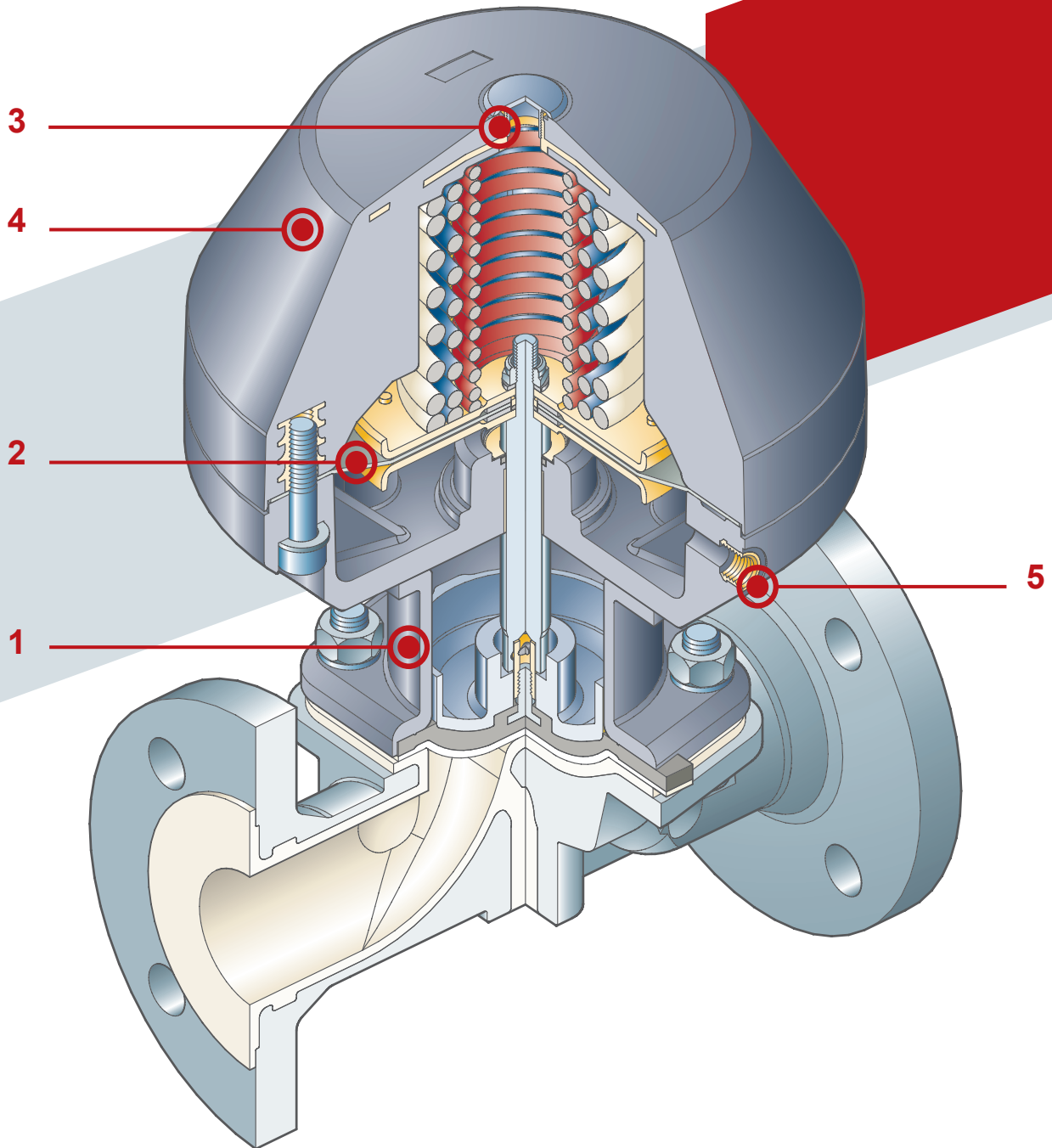
K_v100 flow coefficient

The K_v100 flow coefficient is the Q flow rate of cubic meter per hour of water at a temperature of 20°C that will generate $\Delta p = 1$ bar pressure drop at a certain valve position.

The K_v100 values shown in the table are calculated with the valve completely open.

DN	MA	Unlined		Hard rubber lined		Plastic lined	
		K_v m ³ /h	Cv gpm	K_v m ³ /h	Cv gpm	K_v m ³ /h	Cv gpm
15	25	7	8	-	-	5	6
20	25	12	14	10	12	9	11
25	25	14	16	14	16	13	15
32	40	-	-	29	34	23	27
40	40	40	47	32	37	26	30
50	50	78	91	51	60	50	59

Pneumatically Operated Valve Type 495 DN 15 - 50 (1/2" - 2")



1 Cast iron **distance piece** for high temperature applications

2 Strong **control diaphragm** supported by two metal plates which ensures a long life

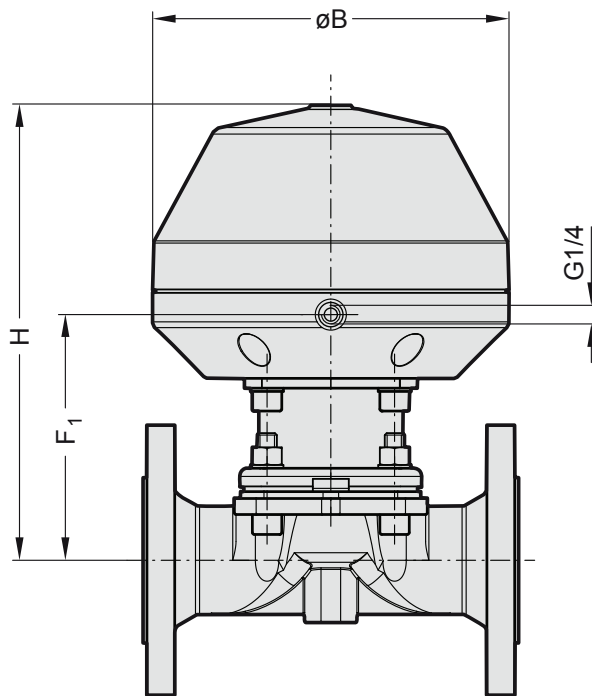
3 Connection thread for assembly of **valve control equipment**

4 **Robust diaphragm actuator** with high chemical resistance. Available for control function Normally closed, Normally open and Double acting.

5 **Control air connector G1/4"** for control function "Normally closed"

Pneumatically Operated Valve Type 495 - Dimensions

Flanged



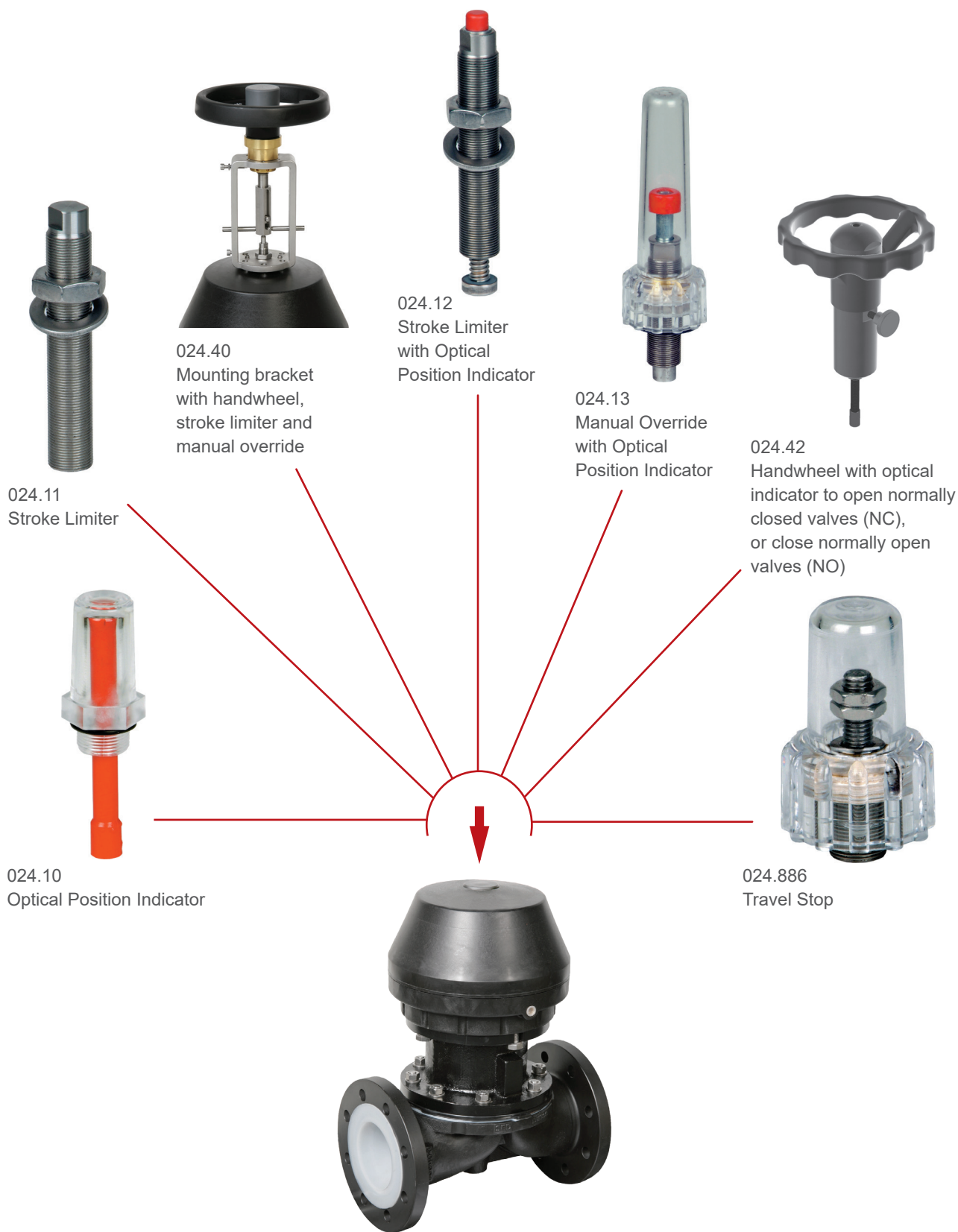
Dimensions (mm)

DN	MA	$\varnothing B$	F_1	Flanged Version	
				H	Weight kg
15	25	130	66	160	3,6
20	25	130	66	160	3,7
25	25	130	70	160	4,9
32	40	161	108	208	10,0
40	40	161	108	213	10,0
50	50	218	127	263	15,0

Note: Valve body face to face (FTF) and flange dimensions see page 8.

System Components and Process Automation

Manual Adjustment - Optical Indication



Upon request combinations of Manual Adjustments with Switch Boxes are available

System Components and Process Automation

Electrical Switch Boxes



024.85 - 87
Electrical Position Indicator



024.50
Contact - Free Limit Switch
Optional: ATEX approved Version /
Stainless Steel Version



024.90
Limit Switch open position



024.91 - 93
Electrical Position Indicator
(For sizes bigger DN25 it is
preferred to mount indicators
024.63 - 65 and 024.85 - 87 for
more convenient assembly.)



024.63-024.65
Control Head Switch for
open and close with optical
indicator catches the eye
024.89
AS-Interface Control Head
Switch for open and close
position with optical indicator
catches the eye



Upon request combinations of Manual Adjustments with Switch Boxes are available

System Components and Process Automation

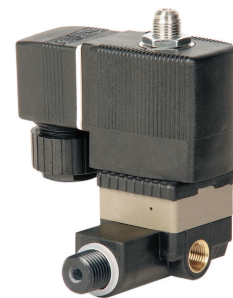
Pilot Valves



602
3/2 Way Pilot Solenoid Valve
Direct mounting
Qn 60 l/min



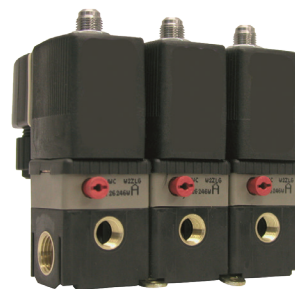
607
5/2, 5/3 Way Pilot Solenoid Valve
Qn 1300 l/min



600
3/2 Way Pilot Solenoid Valve
Direct Mounting
Qn 200 l/min



603
3/2 Way Pilot Solenoid Valve
Manifold mounting
Qn 60 l/min



605
3/2 Way Pilot Solenoid Valve
Manifold mounting
Qn 200 l/min

System Components and Process Automation

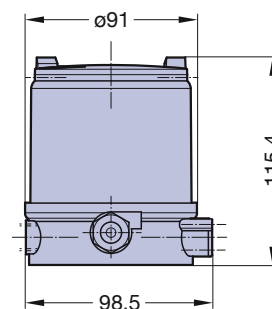
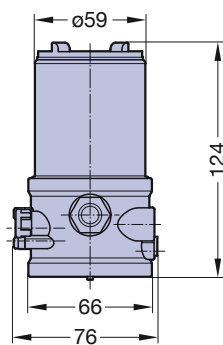
Electropneumatic Positioners

ECOCENT 024.16.7
for central mounting on
the top of the process
control valves

Main Features

- Compact stainless steel, high performance plastic design
- Contact- free continuous sensor measuring of the valve spindle position
- Easy start up
- Pneumatic positioning for single acting actuators
- High air flow rate for type 024.16.720
- Close tight function

Type	024.16.710	024.16.720
Recommended for valve size	DN 8 - 50	DN 50 - 100



Pictures shows valve assembled with Positioner 024.16.710

Body; Cocer; Sealing	PPS/stainless steel; PC transparent; EPDM	PPS/stainless steel; PC transparent; EPDM
Ambient temperature	0 - 55°C	0 - 55°C
Control medium	Neutral gases, air according DIN ISO 8573-1	Neutral gases, air according DIN ISO 8573-1
Pilot air ports	G 1/8	G 1/8
Supply pressure; Air flow rate	1 - 7 bar ¹ ; 7 NI/min	3 - 7 bar ¹ ; 130 NI/min
Intrinsic air consumption	0 l/min	0 l/min
Power supply	24 V DC +/- 10%	24 V DC +/- 10%
Power consumption	< 3,5 W	< 3,5 W
Electrical connection	Multipol M12 (8- pins), stainless steel	Multipol M12 (8- pins), stainless steel
Setpoint setting; Output resistance	4 to 20 mA; 180 Ohm	4 to 20 mA; 180 Ohm
Analogue feedback 4 - 20 mA	Optional	Standard
Stroke range valve spindle	3...28 mm	3 - 45 mm
Binary input	0 - 5 V = log "0", 10 - 30 V = log "1"	0 - 5 V = log "0", 10 - 30 V = log "1"
AS-Interface	NO	optional
Operation	2 Key button	2 Key button
Visualisation	2 LEDs	2 LEDs
Protection class	IP65/67 according to EN 60529 (only if cables plugs and sockets have been connected properly and in compliance with the exhaust air concept in chapter "pneumatic connection of positioner")	
Conformity	subject to CE according EMV2004/108/EG	subject to CE according EMV2004/108/EG
Approval	CSA on request.	CSA on request.
Process controller	NO	Optional

¹ Pressure stated in bar: are access to atmosphere; the supply pressure has to be 0,5 - 1 bar above the minimum required pilot pressure for the valve actuator

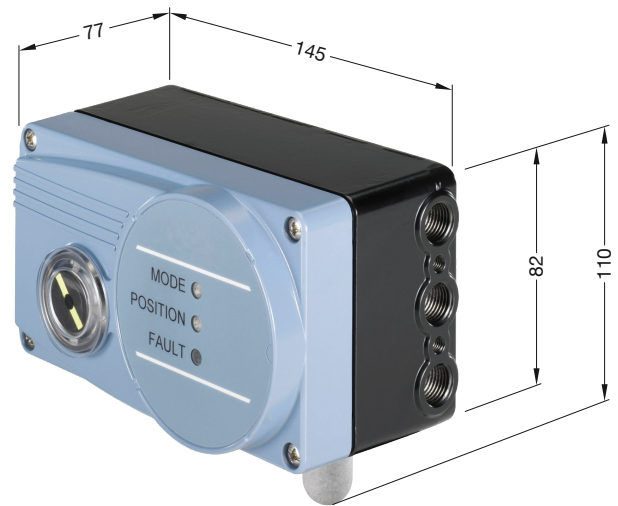
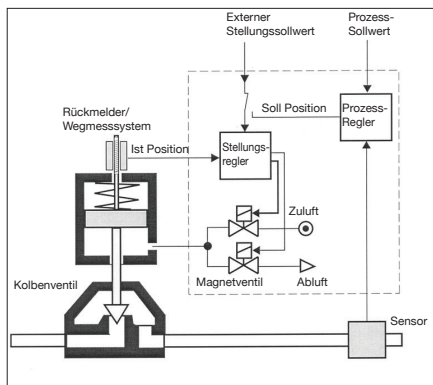
System Components and Process Automation

Electropneumatic Positioners

ECOSIDE 024.16.420 for process valves big stroke range and with remote control installation

Main Features

- Compact metal housing
- Contact- free continuous sensor measuring of the valve spindle position
- Simple start up using tune function
- Pneumatic positioning for single and double-acting actuators
- High air capacity
- Standardized for assembly according IEC 534-6 / VDI VDE 3845
- Available as remote version with position sensor
- Close tight function
- ATEX-Version available



Type	024.16.420
Recommended for valve size	DN25 - 200
Body; Sealing	Aluminum plastic coated; EPDM
Ambient temperature	0 - 60°C
Control medium	Neutral gases, air according DIN ISO 8573-1
Pilot air ports	G 1/4
Supply pressure	1,4 - 7 bar ¹⁾
Air flow rate	Single and double-acting up to 150 NI/min ($Q_{Nn} = 100$ NI/min acc. Definition with decrease in pressure from 7 to 6 bar absolute)
Intrinsic air consumption	0 l/min
Power supply	24 V DC +/- 10%
Power consumption	< 3,5 W
Electrical connection	M12 (8 Pins)
Cable gland	2 x M20 x 1,5 (cable Ø 10 mm) on screw terminal
Remote version	1 x M12 x 1,5 (cable Ø3 to 6,5 mm)
Setting point; input resistance	5 to 20 mA / 180 Ohm (0 - 20 mA adjustable with configuration software)
Binary Input	0 - 5 V = log "0", 10 - 30 V = log "1"
Stroke range valve spindle	Min. 30° on the rotary shaft, depending on lever
Operation	2 Key button
Visualisation	2 LEDs
Protection class	IP65/67 acc. EN 60529
Type of ignition protection	II 3 G nA II B T4 II 3 D tD A22 T135°
Conformity	EMV2004/108/EG
Approval	CSA
Optional	Process controller Analogue feedback 4 - 20 mA AS-Interface

¹⁾ Pressure stated in bar: are access to atmosphere;
the supply pressure has to be 0,5 - 1 bar above the minimum required pilot pressure for the valve actuator

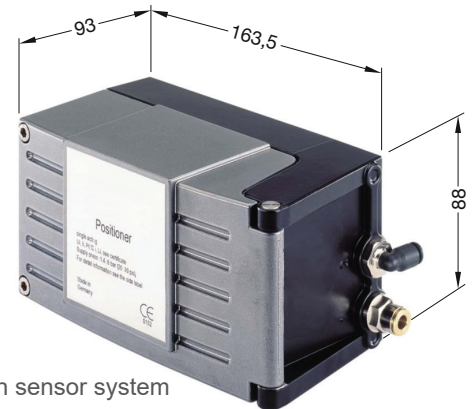
System Components and Process Automation

Electropneumatic Positioners

ECOSIDE 024.16.402 for process valves big stroke range and with remote control installation

Main Features

- Compact and robust metal housing
- Simple start up using tune function
- Pneumatic positioning for single and double-acting actuators
- High air capacity
- Close tight function
- ATEX approval II 2 (1) G Ex ia IIC T6 Gb



Assembly exclusively with position sensor system

Type	024.16.402
Body; Sealing	Aluminium, hard anodized and plastic coated
Ambient temperature	-25 ... +60 °C ¹⁾
Control medium	neutral gases, air according DIN ISO 8573-1
Pilot air ports	G 1/4
Supply pressure	1.4 - 6 bar ³⁾
Air flow rate	55 l/min at 1.4 bar ³⁾ 170 l/min at 6 bar ³⁾ for pressurizing and venting
Intrinsic air consumption	0 l/min
Power supply	via setpoint input 4-20mA
Burden voltage	< 12 VDC
Burden resistance	590 Ω at 20mA and 11.8 VDC
Electrical connection	2 x M20 x 1.5-bushing Clamping range 6 ... 12 mm Screw terminals for 0.14 ... 1.5 mm ²⁾
Remote version	available (only with the approved sensor)
Setting point; input resistance	4 ... 20 mA; 590 Ω
Binary Input	mechanical NC/ NO contact
Positioning range	Linear actuator: 3... 130 mm Part-turn actuator: 0... 120 °
Operation	3 operating keys
Visualisation	Plain-text display (internal)
Protection class	IP65 acc. to EN 60529
Type of ignition protection	II 2 (1) G Ex ia IIC T6 Gb acc. to EN 60079-0:2012 and EN 60079-11:2012
Conformity	EMC 2004/108/EC
Approvals	ATEX EEx ia II C T6
Certification	PTB 04 ATEX 2027 / IECEx PTB 04.0016
Optional	Analogue feedback 4 - 20 mA Process value input (4... 20mA) Use in the Ex area (Zone 1)
Assembly	Assembly set required

¹⁾ Up to +65 °C temperature class T4/T5 or without EEx i approval.

²⁾ May be adapted to actuator size with throttle screw.

³⁾ Pressure data in bar; overpressure to ambient.

System Components and Process Automation

Electropneumatic Positioners

Main Features:

- Three touch-sensitive keys and display for convenient operation
- Intuitive operation with simple menu navigation
- Automatic initialization
- UV-resistant housing
- Various attachment options
- Protected non-contact sensor for precise control
- ATEX approval II 2 G Ex ia IIC T4 Gb



Type	024.16.251
Recommended for valve size	MA 25 - MA 100 (other sizes on request)
Body; Sealing	Housing Polyhtalamid (PPA); Top Polycarbonat (PC); PUR
Ambient temperature	-20°C to 80°C
Control medium	Neutral gas; air according to DIN ISO 8573-1
Pilot air ports	G1/4 or 1/4 NPT
Supply pressure	up to 7 bar
Air flow rate	at dp 6 bar 140 NI/min
Intrinsic air consumption	<= 100 NI/h.
Power supply	24 VDC +/- 10%
Power consumption	approx. 0,5 W
Electrical connection	Terminal connection block
Cable gland	M20x1,5
Setting point; input resistance	4-20 mA; 315 Ohm
Stroke range valve spindle	3,75-50 mm
Operation	3 capacitive buttons
Visualisation	LCD-Display
Protection class	IP66
Type of ignition protection	II 2G Ex ia IIC T4
Conformity	EMV/2004/108/EG
Approval	EAC
Optional	Pressure gauge

Ordering Key

1	2	3	4	5	6.1	6.2	7
Type	Size	Valve body material	Valve body connection	Diaphragm material	Actuator control function	Actuator type	Actuator size

Pos.	Description	Code	Specification
1	Type:	188	Plastic piston actuator, pneumatic
		289	Plastic actuator, manual
		295	Stainless steel adaption plastic actuator, manual
		385	Plastic diaphragm actuator, pneumatic
		402	Plastic piston actuator, pneumatic
		487	Plastic- or metal diaphragm actuator, pneumatic
		495	Plastic diaphragm actuator with stainless steel distance piece, pneumatic
		905	Plastic actuator with stainless steel adaption, manual
		982	Plastic actuator, manual
		987	Metal actuator, manual
2	Size:	12 - 300	DN12, 15, 20, 25, 32, 40, 50, 65, 80, 100, 125, 150, 200, 250, 300
3	Valve body material:	7	Stainless steel, investment cast 1.4435/ 316 L, Raised face flange
		8	Cast iron GG25, Raised face flange
		11	S.G. iron GG40.3, PFA-lined, Raised face flange
		12	S.G. iron GG40.3, PP-lined, Raised face flange
		13	S.G. iron GG40.3, PVDF-Lined, Raised face flange
		14	S.G. iron GG40.3, PTFE-Lined, Raised face flange
		15	S.G. iron GG40.3, Butyl-lined, Flat face flange
		16	S.G. iron GG40.3, ETFE-lined, Raised face flange
		18	S.G. iron GG40.3, Hard-Rubber-lined, Flat face flange
		19	S.G. iron GG40.3, EPDM-lined, Flat face flange
		71	Stainless steel, investment cast 1.4435, PFA-lined, Raised face flange
		80	Cast iron GG25, Hard-Rubber-lined, Flat face flange
		81	Cast iron GG25, EPDM-lined, Flat face flange
		85	Cast iron GG25, Butyl-lined, Flat face flange
		90	Cast Steel ASTM A216, Hard-Rubber-lined, Flat face flange
		91	Cast Steel ASTM A216, PFA-lined, Raised face flange
		92	Cast Steel ASTM A216, PP-lined, Raised face flange
95	Cast Steel ASTM A216, Hypalon-lined, Flat face flange		
96	Cast Steel ASTM A216, ETFE-lined, Raised face flange		
4	Valve body end connection: Digit 1, Face to Face length Digit 2, Flange (see table page 8, 9)	1	Threaded socket DIN ISO 228
		51	Flange EN 1092, PN10, length EN 558-1, series 1
		55	Flange JIS 10K, length EN 558-1, series 1
		56	Flange BS Table E, length EN 558-1, series 1
		57	Flange BS Table F, length EN 558-1, series 1
		58	Flange ANSI Klasse 125/150, length EN 558-1, series 1
		61	Flange EN 1092, PN16, length BS5156
		65	Flange JIS 10K, length BS5156
		66	Flange BS Table E, length BS5156
		67	Flange BS Table F, length BS5156
68	Flange ANSI Klasse 125/150, length BS5156		
5	Diaphragm material:	1	EPDM, MA10 to MA300
		2	FPM, MA10 to MA150
		4	NBR, MA10 to MA150
		30	PTFE/EPDM, one-piece, MA25, MA40, MA50
		31	PTFE/EPDM, two-piece, MA65 to MA150
		41	PTFE/EPDM, two-piece, MA25 to MA80
		44	PTFE/EPDM, two-piece, MA25, MA40, MA50
		51	PTFE/EPDM, two-piece, MA10

Ordering Key

6.1	Actuator control function:	- 1 2 3 4 5 6	Manually operated Normally closed (NC), orientation 90° to flow direction Normally open (NO), orientation 90° to flow direction Double-acting (DA), orientation 90° to flow direction Normally closed (NC), orientation in flow direction Normally open (NO), orientation in flow direction Double-acting (DA), orientation in flow direction
6.2	Actuator type:	S AS PS HS S11 S12 S13	Plastic- or metal actuator, black Stainless steel adaption plastic actuator, black Plastic piston actuator, black High temperature plastic actuator, black Stainless steel bonnet and plastic hand wheel, incl. seal adjuster and locking device Stainless steel bonnet and plastic hand wheel, incl. seal adjuster, locking device and stroke limiter Stainless steel bonnet and plastic hand wheel, incl. seal adjuster
7	Actuator size:	3/1 3/2 3/3 4/1 4/2 4/3 9/2 9/3 5 6 6/2 7 8 8/2	Actuator control function NC Actuator control function NC Actuator control function NC Actuator control function NC Actuator control function NC Actuator control function NC Actuator control function NC Actuator control function NC Actuator control function NO Actuator control function NO Actuator control function NO Actuator control function DA Actuator control function DA Actuator control function DA

Preferred standards bold. Other items on request.

Ordering Key

Position:

1 2 3 4 5 6.1 6.2 7

Article Code:

487 . 80 . 11 . 58 . 41 . 1 S . 33

Type:

487
Plastic diaphragm actuator,
pneumatic

Size:

DN 80

Valve body material:

S.G. iron GG40.3, PFA-lined,
Raised face flange

Valve body end connection:
Flange ANSI Klasse 125/150,
length EN 558-1, series 1

Diaphragm material:
PTFE/EPDM, two-piece

Actuator size:
Actuator size 3,
Normally closed

Actuator type:
Plastic actuator, black

Actuator control function:
Normally closed NC,
Control air connection 90° to
flowdirection



Overview Product Range

Diaphragm Valve



Aseptic Diaphragm Valve



Multiport Diaphragm Valves



Plastic Diaphragm Valve

Angle Seat Valve



Two-Way Metal Angle Seat Valve

Aseptic Process Solution



Sterile sampling unit

System Components



Contact-Free Limit Switch



Control Head



Digital Electropneumatic Positioner

Flow Measurement



Variable Area Flowmeter



Measuring Sensor

Website



<http://www.sed-flowcontrol.com/en/>

Product Configurator



<http://www.sed-flowcontrol.com/en/konfigurator>

- Easy configuration of products live on the screen
- Automatic creation of CAD- files in various file formats
- Send request and download product descriptions

Manual diaphragm valve type 905



<http://www.sed-flowcontrol.com/en/service/movies>

Contact - Free Limit switch 024.50



<http://www.sed-flowcontrol.com/en/service/movies>

Note

Note

SAMSON AT A GLANCE

STAFF

- Worldwide 4,300
- Europe 3,300
- Asia 500
- Americas 200
- Frankfurt am Main, Germany 1,800

MARKETS

- Chemicals and petrochemicals
- Power and energy
- District heating and cooling, building automation
- General industry
- Industrial gases
- Food and beverages
- Metallurgy and mining
- Oil and gas
- Pharmaceuticals and biotechnology
- Marine equipment
- Water and wastewater
- Pulp and paper

PRODUCTS

- Valves
- Self-operated regulators
- Actuators
- Valve accessories
- Signal converters
- Controllers and automation systems
- Sensors and thermostats
- Digital solutions

SALES SITES

- More than 50 subsidiaries in over 40 countries
- More than 200 representatives

PRODUCTION SITES

- SAMSON Germany, Frankfurt, established 1916
Total plot and production area: 150,000 m²
- SAMSON France, Lyon, established 1962
Total plot and production area: 23,400 m²
- SAMSON Turkey, Istanbul established 1984
Total plot and production area: 11,053 m²
- SAMSON USA, Baytown, TX, established 1992
Total plot and production area: 9,200 m²
- SAMSON China, Beijing, established 1998
Total plot and production area: 10,138 m²
- SAMSON India, Pune district, established 1999
Total plot and production area: 18,000 m²
- SAMSON Russia, Rostov-on-Don, established 2015
Total plot and production area: 5,000 m²
- SAMSON AIR TORQUE, Bergamo, Italy
Total plot and production area: 27,684 m²
- SAMSON CERA SYSTEM, Hermsdorf, Germany
Total plot and production area: 14,700 m²
- SAMSON KT-ELEKTRONIK, Berlin, Germany
Total plot and production area: 1,060 m²
- SAMSON LEUSCH, Neuss, Germany
Total plot and production area: 18,400 m²
- SAMSON PFEIFFER, Kempen, Germany
Total plot and production area: 35,400 m²
- SAMSON RINGO, Zaragoza, Spain
Total plot and production area: 18,270 m²
- SAMSON SED, Bad Rappenau, Germany
Total plot and production area: 10,370 m²
- SAMSON STARLINE, Bergamo, Italy
Total plot and production area: 26,409 m²
- SAMSON VETEC, Speyer, Germany
Total plot and production area: 27,090 m²



SED Flow Control GmbH
Am Schafbaum 2 · 74906 Bad Rappenau, Germany
Phone: +49 7264 921 0 · Fax: +49 7264 921 21
E-mail: info@sed-flowcontrol.com · Internet: www.sed-flowcontrol.com