

# Spare Parts List for Type 3278 (160 and 320 cm<sup>2</sup>)



## Your contact details:

Title:

Name:

Company:

Customer no.

Street:

ZIP/postal code, city:

Country:

E-mail:

Phone:

## Ordering spare parts

The spare parts for Type 3278 are listed on the next pages. This document can also be used for ordering:

1. Fill in your contact data and information on the product.
2. Enter the quantity of spare parts needed.
3. Click [Send form] button to attach the PDF form to an e-mail.
4. Attach additional information (e.g. invoice, photos) to the e-mail, if necessary.
5. Send e-mail to spareparts@samsongroup.com.

Either

Configuration ID (Var-ID):

or

SAMSON order no.:

Position in order:

or

<b>SAMSON</b>		Made in Germany	
VETEC Ventiltechnik GmbH		6	
Auftragsnr./Pos. Order No/Pos.	1		
Pneumatischer Antrieb/Pneumatic Actuator			
Typ Type	2	Max. Luftdruck Max. Air pressure	bar 3
Federbereich Spring Range	bar	min 4	max 5
Sicherheitsstellung wird vom Anbau des Antriebs an das Ventil bestimmt! Fail-safe position is determined by the attachment of the actuator to the valve!			
2	Type number	3278	Fail-safe action
3	Permissible supply pressure $p_{max}$ in bar		Manual override
4	Min. bench range in bar		Operating medium
5	Max. bench range in bar		
6	Date of manufacture		
Actuator area			

Send form

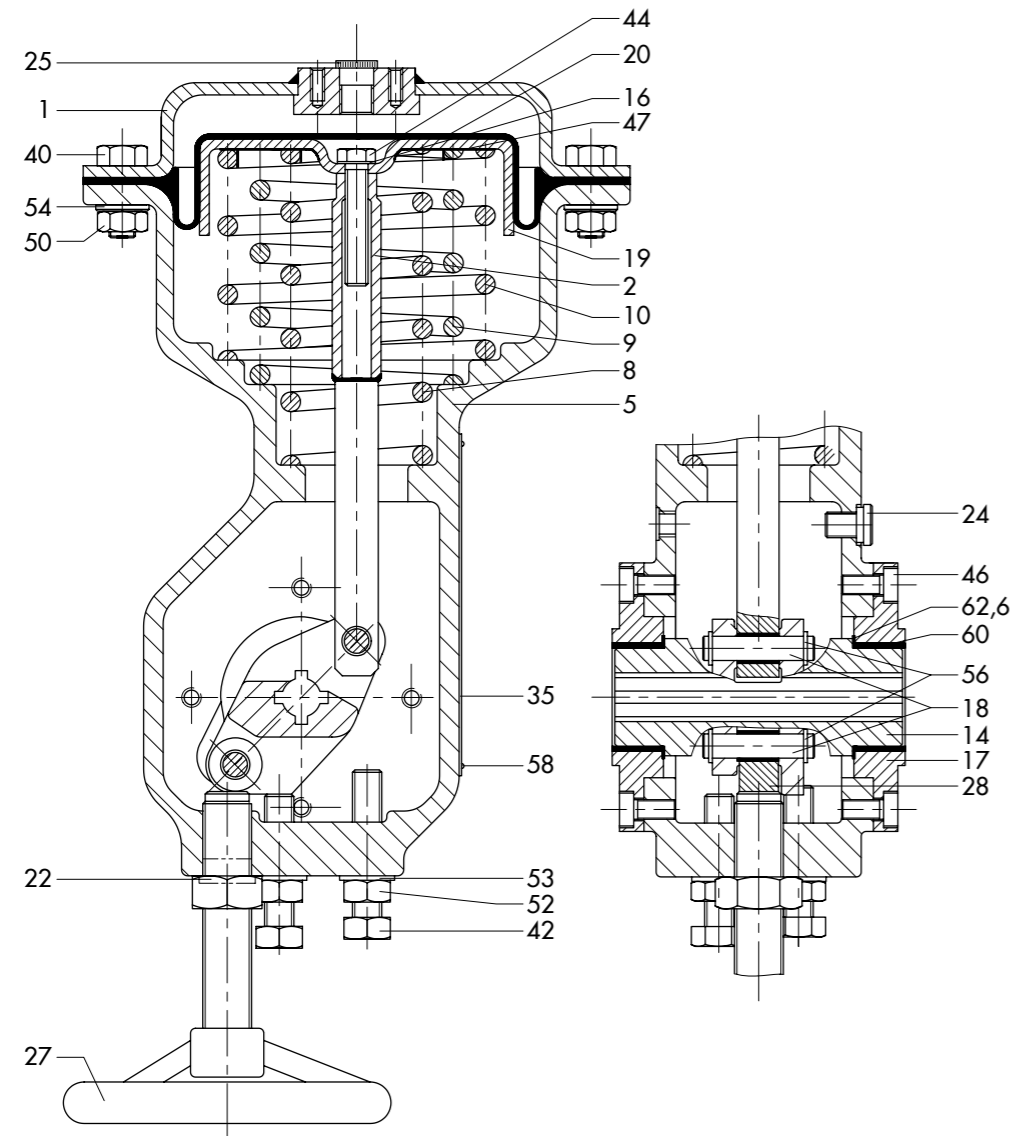
Print form

Clear form

Edition January 2021

Spare parts list

EL 8321 EN



Spare part no.		Qty.	Filled in by SAMSON: item number
1	Diaphragm case		
2	Slide rod assembly		
5	Housing		
8	Spring		
9	Spring		
10	Spring		
14	Shaft		
16	Washer		
17	Flange		
18	Pin		
19	Diaphragm plate		
20	Diaphragm		
22	Blanking plug		
24	Screw plug		
25	Blanking plug		
27	Handwheel assembly		
28	Bushing assembly		
35	Label		
40	Hex bolt		
42	Hex bolt		
44	Hex bolt		
46	Cap screw		
47	Spring washer		
50	Hex nut		
52	Hex nut		
53	Spring washer		
54	Washer		
56	Retaining ring		
58	Round-head grooved pin		
60	Dry bearing		
62	Thrust washer		
63	Shim		

Specifications subject to change without notice